

6

5

4

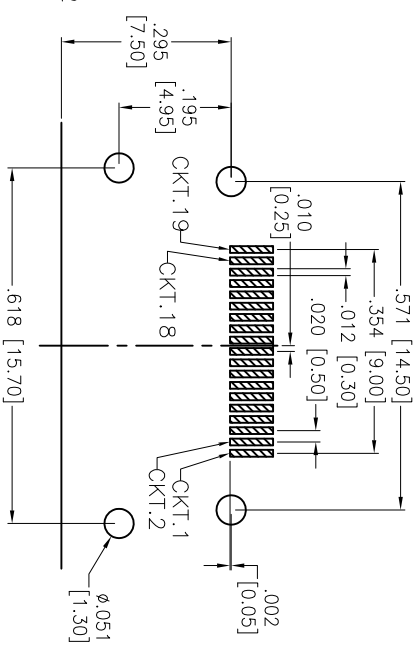
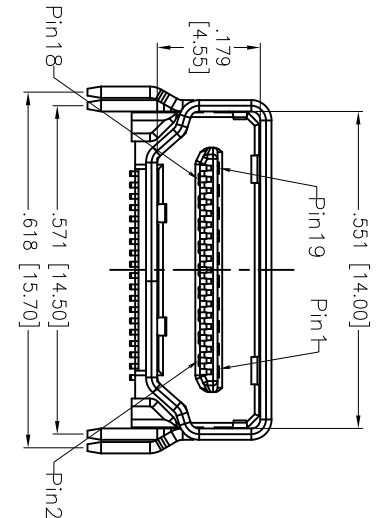
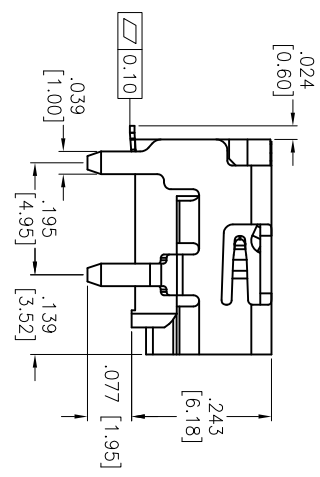
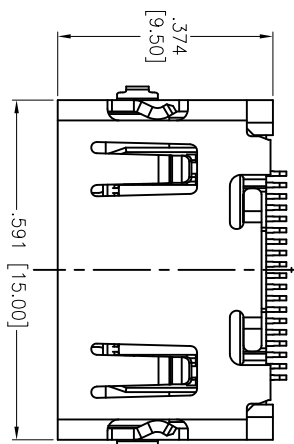
3

2

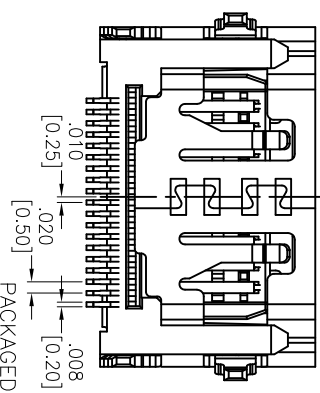
1

APPROVED: \_\_\_\_\_  
 DATE: \_\_\_\_\_ TITLE: \_\_\_\_\_

Rev	AWO #	Description	Date	Appr
-		RELEASED	6/04/10	
A		UPDATED DRAWING	2/12/15	HRYYC



RECOMMENDED PCB LAYOUT



PACKAGED ON TAPE & REEL

**SPECIFICATIONS:**

Material: Hi-temp thermoplastic, UL 94V-0  
 Housing: Hi-temp thermoplastic, UL 94V-0  
 Housing color: Black  
 Contact: Brass  
 Shield: Brass, Nickel plated  
 Plating: 15u" Gold over Nickel underplate on contact area, Matte Tin over Copper underplate on tails.  
 Electrical:  
 Voltage rating: 40 V  
 Current rating: 0.5 A  
 Contact resistance: 10 mohms max  
 Insulation resistance: 100 Mohms min @ 500 VDC (Unmated)  
 10 Mohms min @ 150 VDC (Unmated)  
 Environmental:  
 Lead free, RoHS Compliant

A

B

C

D

A

B

C

D

**ADAM TECH**

909 Railway Avenue, Union, NJ 07083  
 Phone: 908-687-5000 Fax: 908-687-5710

HDMI CONNECTOR, RIGHT ANGLE, SMT

UNLESS OTHERWISE SPECIFIED ALL DIMENSIONS ARE INCHES [MM]	
TOLERANCES: EXCEPT AS NOTED	
INCHES	HOLDS
.X ± .10	± .10
.XX ± .020	± .015
.XXX ± .015	± .010
.XXX ± .015	± .010
APPROVALS	DATE
DRAWN DY	6/04/10
CHECKED	
APPROVED	

SIZE	PART NO.	REV.
X	HDMI-S-RA-SMT-01-15-T/R	A
REF:	S00015C	SCALE: NTS
		SHEET 1 OF 1

6

5

4

3

2

1

