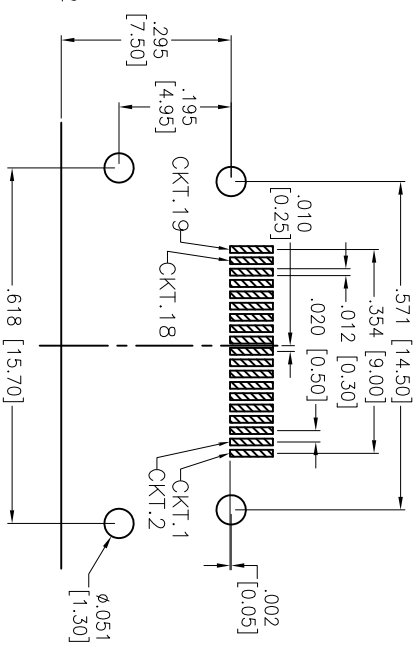
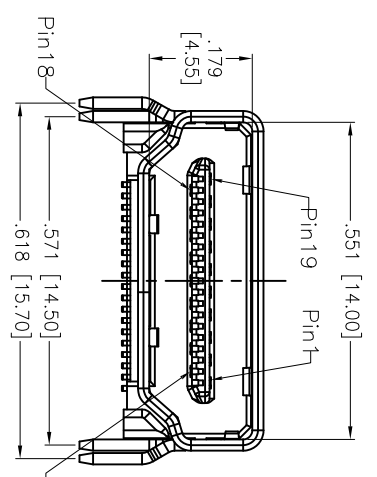
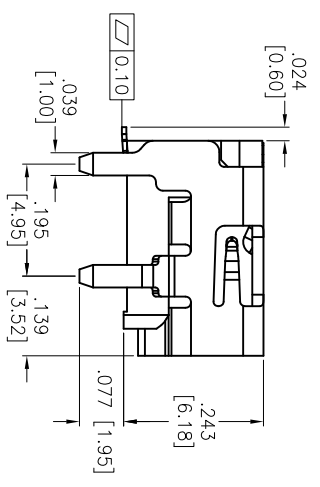
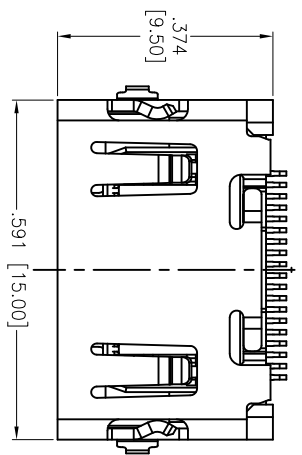
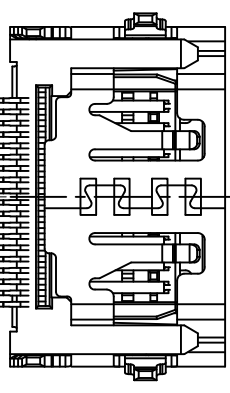
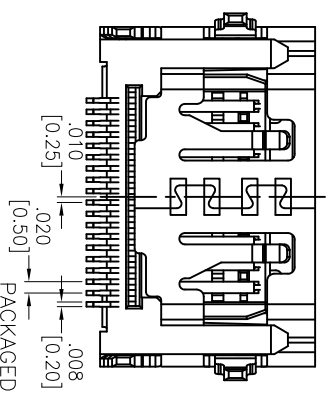


APPROVED: _____
 DATE: _____ TITLE: _____

| Rev | AWO # | Description | Date | Appr |
|-----|-------|-----------------|---------|-------|
| - | | RELEASED | 6/04/10 | |
| A | | UPDATED DRAWING | 2/12/15 | HR/RC |



RECOMMENDED PCB LAYOUT



PACKAGED ON TAPE & REEL

SPECIFICATIONS:

Material:
 Housing: Hi-temp thermoplastic, UL 94V-0
 Housing color: Black
Contact: Brass
 Shield: Brass, Nickel plated
 Plating:
 Matte Tin over Copper underplate on tails,
 Gold over Nickel underplate on contact area,
 Electrical:
 Voltage rating: 40 V
 Current rating: 0.5 A
 Contact resistance: 10 mohms max
 Insulation resistance: 100 Mohms min @ 500 VDC (Unmated)
 10 Mohms min @ 150 VDC (Unmated)

Environmental:
 Lead free, RoHS Compliant



ADAM TECH

909 Railway Avenue, Union, NJ 07083
 Phone: 908-687-5000 Fax: 908-687-5710

HDMI CONNECTOR, RIGHT ANGLE, SMT

| UNLESS OTHERWISE SPECIFIED ALL DIMENSIONS ARE INCHES [MM] | |
|--|--------|
| TOLERANCES: EXCEPT AS NOTED | |
| INCHES | HOLDS |
| .X ± .10 | ± .10 |
| .XX ± .020 | ± .015 |
| .XXX ± .015 | ± .010 |
| .XXX ± .015 | ± .010 |
| APPROVALS | |
| DATE | DATE |
| DRAWN | DY |
| 6/04/10 | |
| CHECKED | |
| APPROVED | |

| TITLE | |
|----------------------------------|----------------------|
| HDMI CONNECTOR, RIGHT ANGLE, SMT | |
| SIZE | PART NO. |
| X | HDML-S-RA-SMT-01-T/R |
| REF: | S00015C |
| SCALE: | NIS |
| SHEET | 1 OF 1 |
| REV. | A |