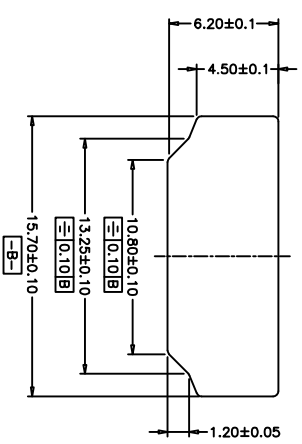
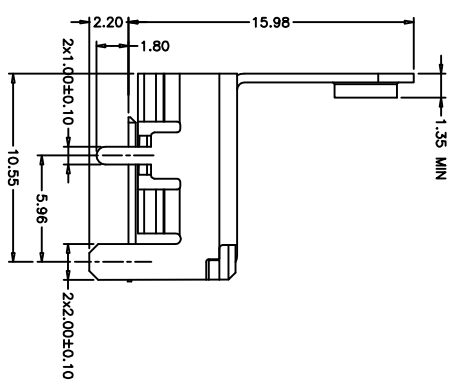
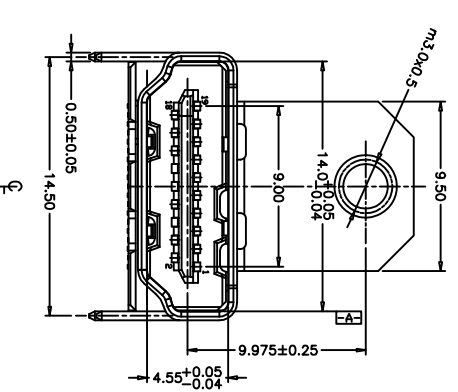
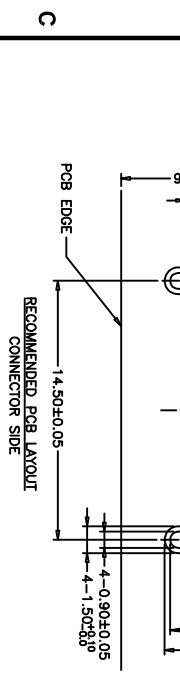
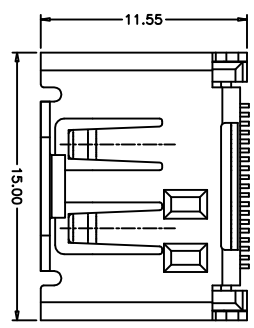
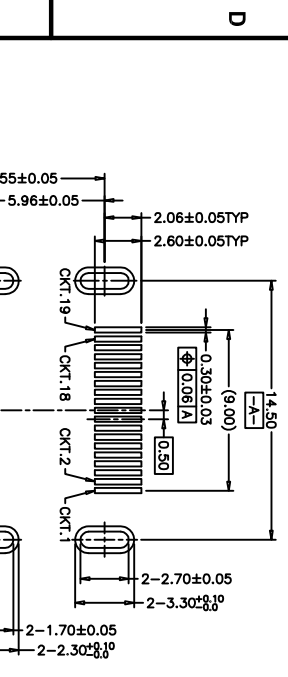


Rev	AWO #	Description	Date	Appr
-		RELEASED	6/08/10	

6 5 4 3 2 1

APPROVED: \_\_\_\_\_

DATE: \_\_\_\_\_ TITLE: \_\_\_\_\_



**SPECIFICATIONS:**

**Material:**

Housing: Hi-temp thermoplastic, UL 94V-0

Housing color: Black

Contact: Copper Alloy

Shield: Copper Alloy, Nickel plated

**Plating:**

15u" Gold over Nickel underplate on contact area, Tin over Copper underplate on tails.

**Electrical:**

Voltage rating: 40V

Current rating: 0.5A

Dielectric strength: 300VAC for 1 minute min.

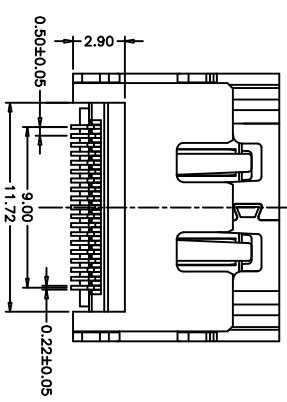
Contact resistance: 100 Megohm min.

Insulation resistance: 10 mohms max.

**Environmental:**

Lead free, RoHS Compliant

Recommended soldering temp: 260°C for 5 seconds.



6 5 4 3 2 1

**ADAM TECH**

909 Rahway Avenue, Union, NJ 07083  
Phone: 908-687-5000 Fax: 908-687-5710

TITLE: HDMl CONNECTOR, RIGHT ANGLE  
HEADER ASSEMBLY

UNLESS OTHERWISE SPECIFIED ALL DIMENSIONS ARE MM TOLERANCES: EXCEPT AS NOTED INCHES		HOLDERS AS NOTED	
.X ± .10	ØX ± .10	ØX ± .10	± .10
.XX ± .020	ØXX ± .015	ØXX ± .015	± .015
.XXX ± .015	ØXXX ± .010	ØXXX ± .010	± .010
APPROVALS		DATE	
DRAWN	DY	6/08/10	
CHECKED			
APPROVED			

SIZE	PART NO.	REV.
X	HDMI-S-RA-SMT-03-MF-15	-
REF:	S00015C	
SCALE:	NTS	
SHEET	1 OF 1	

