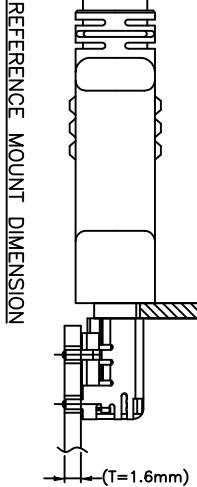
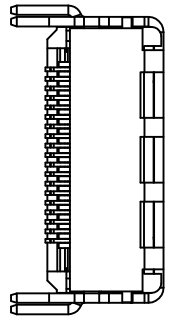
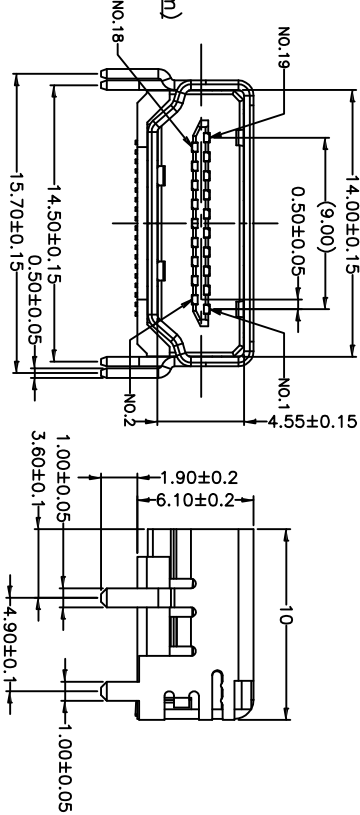
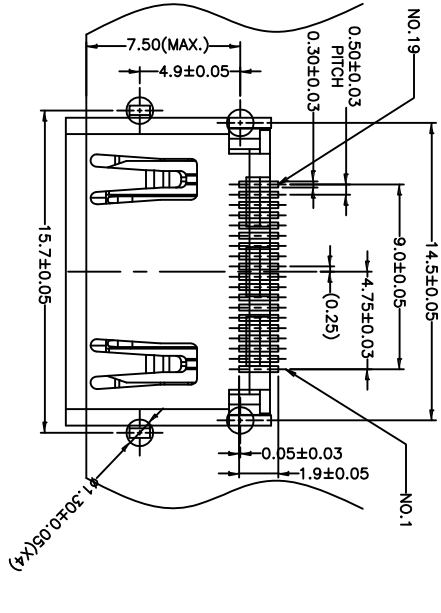
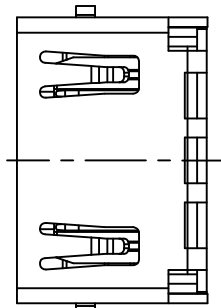


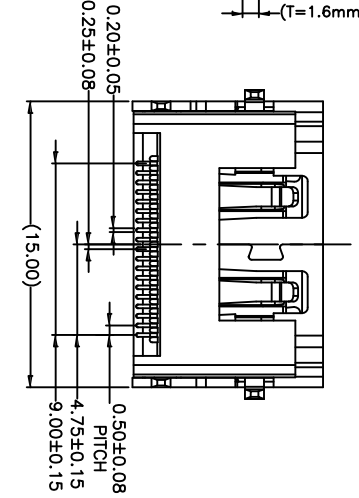
Rev	AWO #	Description	Date	Appr
-		RELEASED	7/01/10	

APPROVED: _____
 DATE: _____ TITLE: _____



SPECIFICATIONS:

Material:
 Housing: Hi-temp thermoplastic, UL 94V-0
 Housing color: Black
 Contact: Copper Alloy
 Shield: Copper Alloy, Nickel plated
Plating:
 Gold flash over Nickel underplate on contact area,
 Tin over Copper underplate on tails.
Electrical:
 Voltage rating: 40V
 Current rating: 0.5A
 Dielectric strength: 300VAC for 1 minute min.
 Insulation resistance: 100 Megohm min.
 Contact resistance: 10 mohms max.
Environmental:
 Lead free, RoHS Compliant
 Recommended soldering temp: 260°C for 5 seconds.



PACKAGED ON TAPE & REEL

A

A

B

B

C

C

D

D

UNLESS OTHERWISE SPECIFIED ALL DIMENSIONS ARE MM TOLERANCES EXCEPT AS NOTED INCHES	
X ± .10	ØX ± .10
.XX ± .020	ØXX ± .015
.XXX ± .015	ØXXX ± .010
APPROVALS	DATE
DRAWN	7/01/10
CHECKED	
APPROVED	

ADAM TECH
 909 Rahway Avenue, Union, NJ 07083
 Phone: 908-687-5000 Fax: 908-687-5710

TITLE: HDMI CONNECTOR, RIGHT ANGLE, SMT

SIZE	PART NO.	REV.
X	HDMI-S-RA-SMT-04-T/R	-
REF:	S00708T	SCALE: NTS
		SHEET 1 OF 1

