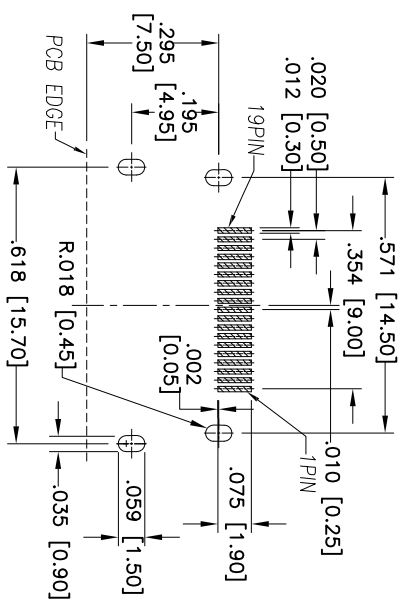
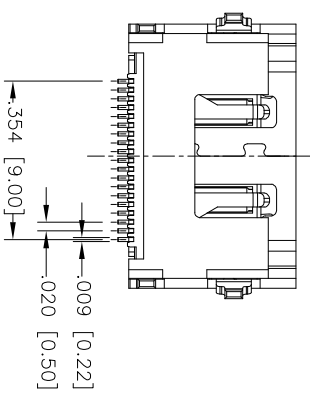
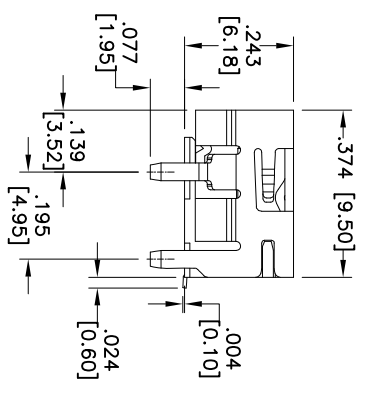
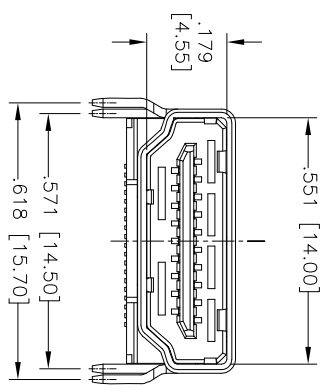
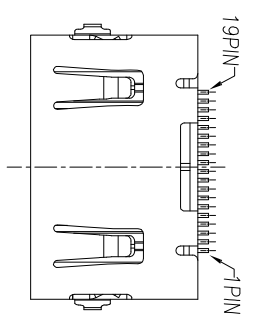


Rev	AWO #	Description	Date	Appr
-		RELEASED	7/25/12	

APPROVED: _____
 DATE: _____ TITLE: _____



RECOMMENDED PCB LAYOUT (1:1.60mm)
 TOLERANCE UNSPECIFIED ±0.10mm

SPECIFICATIONS:

- Material: Housing: Hi-temp thermoplastic, UL 94V-0
- Housing color: Black
- Contact: Copper Alloy
- Shield: Brass, Nickel plated
- Plating: 15u" Gold over Nickel underplate on contact area, Tin over Copper underplate on tails.

Electrical:
 Voltage rating: 40V
 Current rating: 0.5A
 Contact resistance: 30 mohms max.
 Insulation resistance: 100 Megohm min.

Temperature Rating:
 Operating temperature: -20°C o +85°C

Environmental:
 Lead free, RoHS Compliant

PACKAGED ON TAPE & REEL

ADAM TECH

909 Railway Avenue, Union, NJ 07083
 Phone: 908-687-5000 Fax: 908-687-5710

TITLE: HDMI CONNECTOR, RIGHT ANGLE SINGLE, SMT TYPE

UNLESS OTHERWISE SPECIFIED ALL DIMENSIONS ARE INCHES [MM]	
TOLERANCES: EXCEPT AS NOTED	
INCHES	HOLDS
.X ± .10	ØXX ± .10
.XX ± .020	ØXXX ± .015
.XXX ± .015	ØXXX ± .010
APPROVALS	DATE
DRAWN AY	7/25/12
CHECKED CC	7/25/12
APPROVED	

SIZE X	PART NO. HDMI-S-RA-SMT-06-15-T/R	REV. -
REF: S00079C	SCALE: NTS	SHEET 1 OF 1

