

6

5

4

3

2

1

APPROVED: _____

DATE: _____ TITLE: _____

Rev	AWO #	Description	Date	Appr
-		RELEASED	09/15/15	

D

D

C

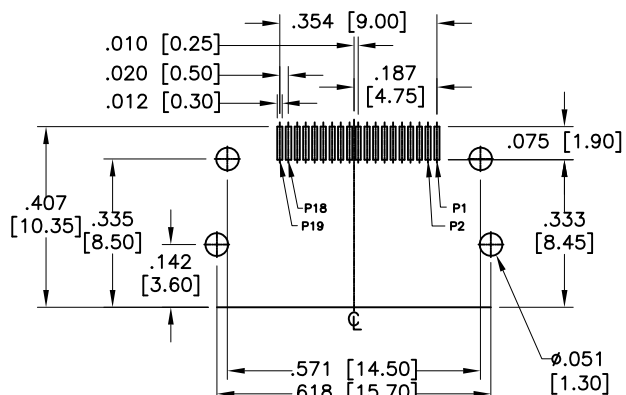
C

B

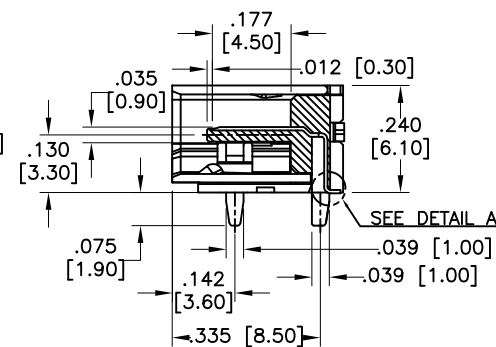
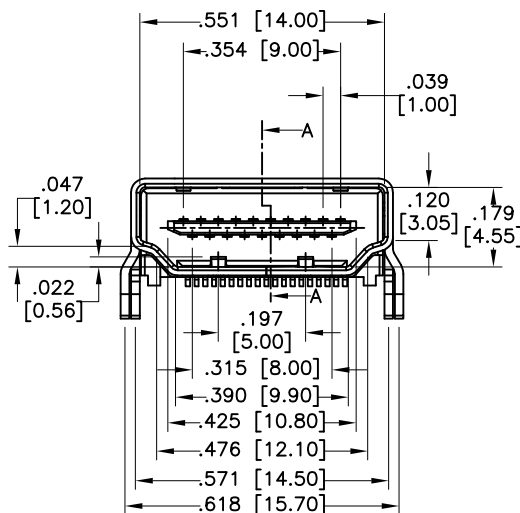
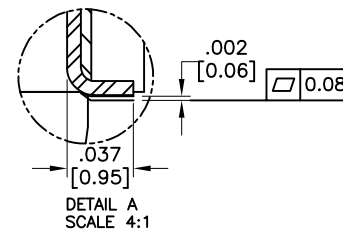
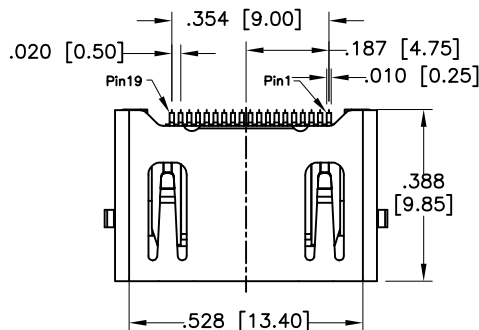
B

A

A



RECOMMENDED PCB LAYOUT (TOP VIEW)
TOLERANCE: ±0.05mm



SECTION A-A

SPECIFICATIONS:

- Material:
- Housing: Hi-temp thermoplastic, UL 94V-0
- Housing color: Black
- Contact: Brass
- Shield: Brass, Nickel plated
- Plating:
- 30u" Gold over Nickel underplate on contact area, Tin over Copper underplate on tails.
- Electrical:
- Current rating: 0.5A
- Contact resistance: 30 mohms max.
- Insulation resistance: 100 Megohm min.
- Dielectric withstanding voltage: 300 VAC for 1 minute
- Temperature Rating:
- Operating temperature: -20°C o +85°C
- Environmental:
- Lead free, RoHS Compliant



PACKAGED ON TAPE & REEL

UNLESS OTHERWISE SPECIFIED ALL DIMENSIONS ARE INCHES [MM] TOLERANCES: EXCEPT AS NOTED		ADAM TECH 909 Rahway Avenue, Union, NJ 07083 Phone: 908-687-5000 Fax: 908-687-5710	
INCHES HOLES			
.X ± .10	Ø.X ± .10	TITLE HDMI CONNECTOR, RIGHT ANGLE SINGLE, SMT TYPE, 30u" GOLD	
.XX ± .020	Ø.XX ± .015		
.XXX ± .015	Ø.XXX ± .010	SIZE PART NO. X HDMI-S-RA-SMT-07-30-T/R	
APPROVALS		DATE	
DRAWN	TW	09/15/15	
CHECKED			
APPROVED			
REF: S00097C		SCALE: NTS	SHEET 1 OF 1

6

5

4

3

2

1