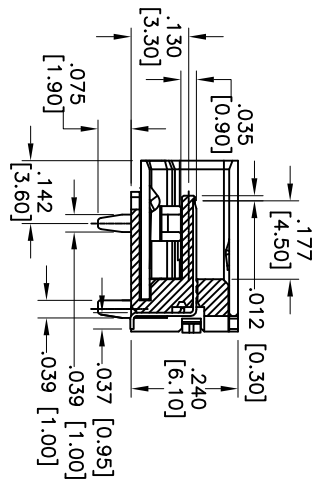
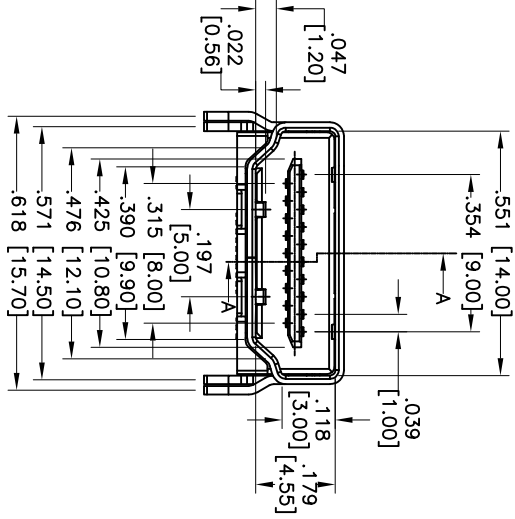
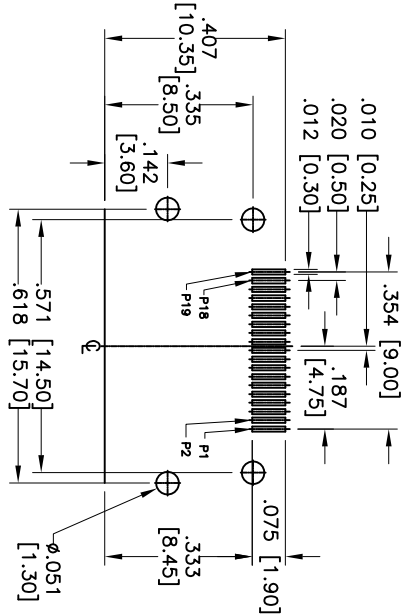
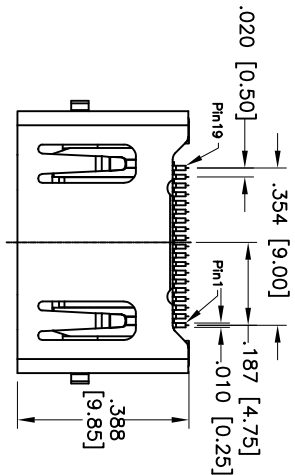


Rev	AWO #	Description	Date	Appr
-		RELEASED	10/23/14	

APPROVED: _____
 DATE: _____ TITLE: _____



RECOMMENDED PCB LAYOUT (COMPONENT SIDE)
 TOLERANCE: ±0.05mm

SPECIFICATIONS:
 Material: Hi-temp thermoplastic, UL 94V-0
 Housing color: Black
 Contact: Brass
 Shield: Brass, Nickel plated
 Plating:
 Gold flash over Nickel underplate on contact area,
 Tin over Copper underplate on tails.
 Electrical:
 Operating Voltage: 40V DC
 Current rating: 0.5A
 Hi-Current Rating: 1.5A @5V DC (Pins 17 & 18 Only)
 Contact resistance: 30 mohms max.
 Insulation resistance: 50 Megohm min.
 Dielectric withstanding voltage: 300 VAC for 1 minute
 Temperature Rating:
 Temperature Range: -20°C to +85°C
 Environmental:
 Lead free, RoHS Compliant

PACKAGED ON TAPE & REEL

ADAM TECH

909 Railway Avenue, Union, NJ 07083
 Phone: 908-687-5000 Fax: 908-687-5710

HDMI CONNECTOR, RIGHT ANGLE
 SINGLE, SMT TYPE

UNLESS OTHERWISE SPECIFIED ALL DIMENSIONS ARE INCHES [MM] TOLERANCES: EXCEPT AS NOTED		TITLE	
INCHES	±.10	ØXX	±.10
INCHES	±.020	ØXXX	±.015
INCHES	±.015	ØXXX	±.010
INCHES	±.010	DATE	
APPROVALS		DATE	
DRAWN	AY	10/23/13	
CHECKED	YC	10/23/13	
APPROVED			
SIZE	PART NO.	REV.	
X	HDMI-S-RA-SMT-07-HC-T/R		
REF:	S00097C	SCALE:	NIS
		SHEET	1 OF 1

