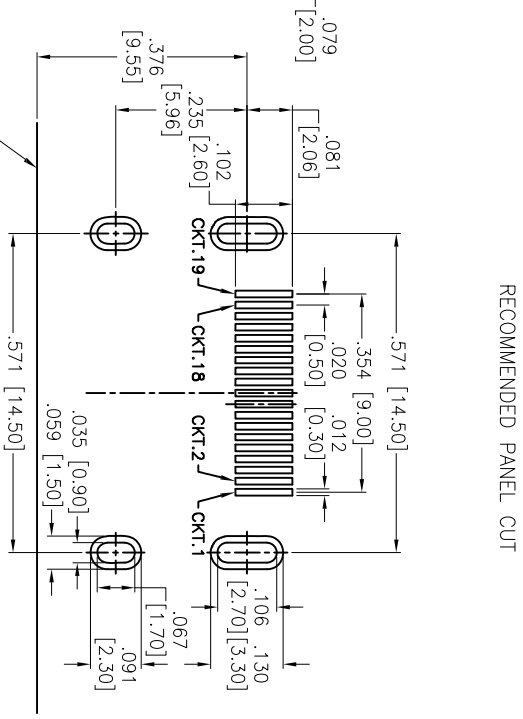
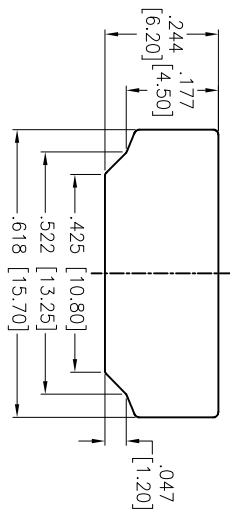
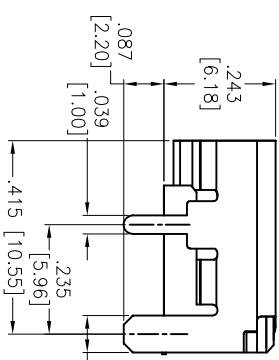
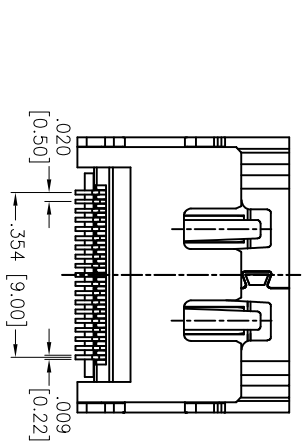
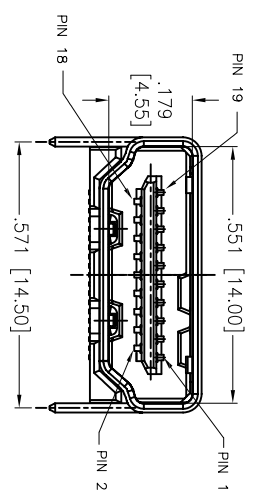
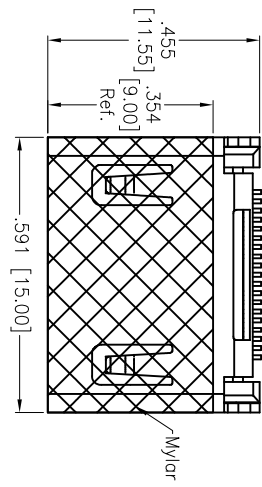


APPROVED: _____

DATE: _____ TITLE: _____

Rev	AWO #	Description	Date	Appr
-		RELEASED	3/13/13	



PACKAGED ON TAPE & REEL

RECOMMENDED PCB LAYOUT

SPECIFICATIONS:

- Material:** Hi-temp thermoplastic, UL 94V-0
- Housing color:** Black
- Contact:** Copper Alloy
- Shield:** Copper Alloy, Matt Tin plated
- Plating:** Gold flash over Nickel underplate on contact area, Tin over Copper underplate on tails.
- Electrical:** Voltage rating: 40V, Current rating: 0.5A, Contact resistance: 10 mohms max., Insulation resistance: 100 Megohm min., Dielectric strength: 500VAC for 1 minute min., Temperature Rating: Operating temperature: -20°C to +85°C
- Environmental:** Lead free, RoHS Compliant

ADAM TECH

909 Rahway Avenue, Union, NJ 07083
 Phone: 908-687-5000 Fax: 908-687-5710

TITLE
 HDMI CONNECTOR, RIGHT ANGLE
 SMT TYPE, HEADER ASSEMBLY

UNLESS OTHERWISE SPECIFIED ALL DIMENSIONS ARE INCHES [MM] TOLERANCES: EXCEPT AS NOTED		INCHES		HOLDERS	
.X	± .10	ØX	± .10		
.XX	± .020	ØXX	± .015		
.XXX	± .015	ØXXX	± .010		
APPROVALS		DATE			
DRAWN	AY	3/13/13		SIZE	PART NO.
CHECKED	AH	3/13/13		X	HDMI-S-RA-SMT-A-TR-01
APPROVED				REF:	S00015C
		SCALE:	NIS	SHEET	1 OF 2

6

5

4

3

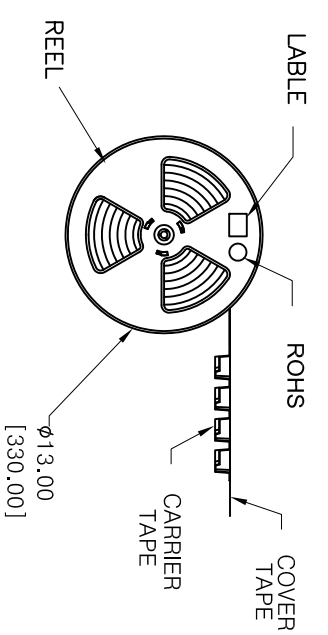
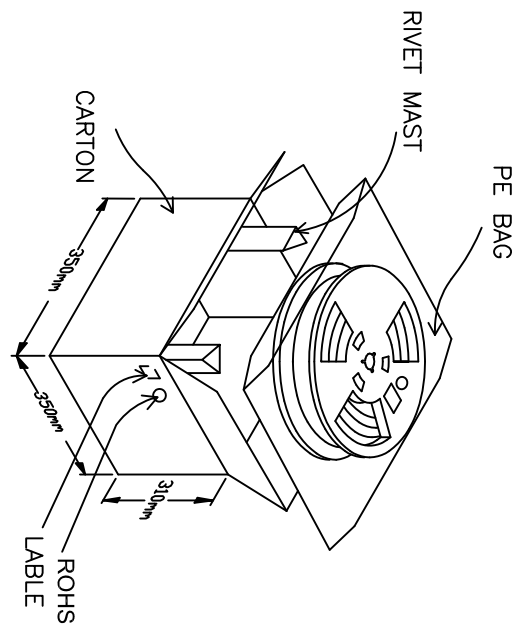
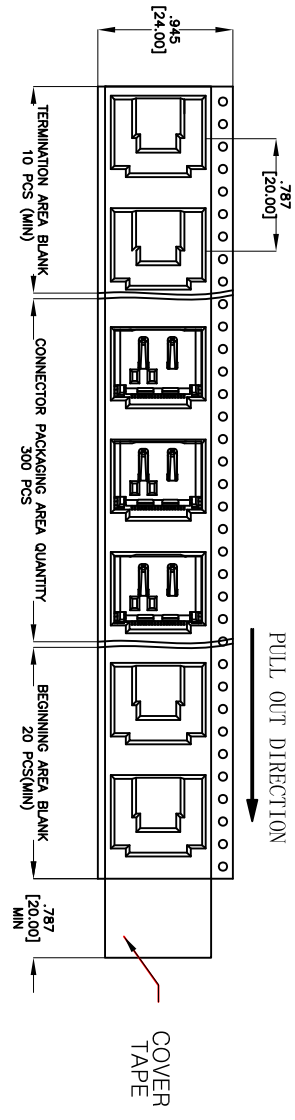
2

1

Rev	AWO #	Description	Date	Appr
		SEE SHT 1 OF 2 FOR REVISION		

APPROVED: _____

DATE: _____ TITLE: _____



PACKAGED ON TAPE & REEL

SPECIFICATIONS:
 CARTON: 37.5 X 37.5 X 31.0CM
 300pcs/reel, 10reels/carton
 3000pcs/ carton

UNLESS OTHERWISE SPECIFIED ALL DIMENSIONS ARE INCHES [MM]	
TOLERANCES: EXCEPT AS NOTED	
INCHES	HOLES
.X ± .10	ØX ± .10
.XX ± .020	ØXXX ± .015
.XXX ± .015	ØXXXX ± .010
APPROVALS	
DRAWN	AY
CHECKED	AH
DATE	DATE

ADAM TECH	
909 Rahway Avenue, Union, NJ 07083	
Phone: 908-687-5000 Fax: 908-687-5710	
TITLE: HDMI CONNECTOR, RIGHT ANGLE	
SMT TYPE, HEADER ASSEMBLY	
SIZE	PART NO.
X	HDMI-S-RA-SMT-A-TR-01
REF:	SCALE: NTS
S00019C	SHEET 2 OF 2

A

B

C

D

A

B

C

D

6

5

4

3

2

1