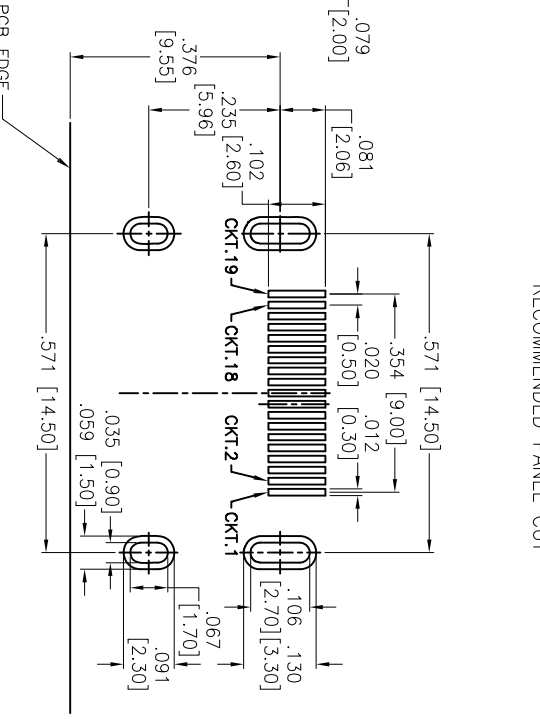
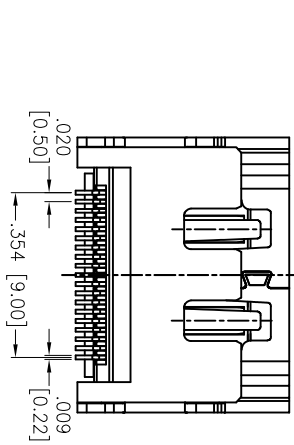
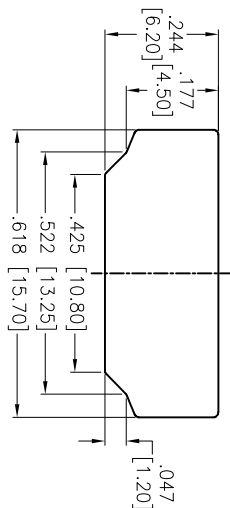
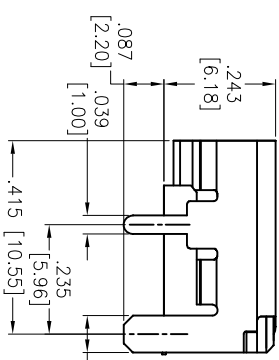
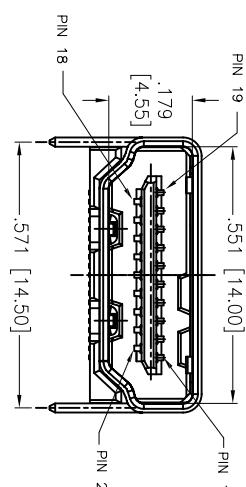
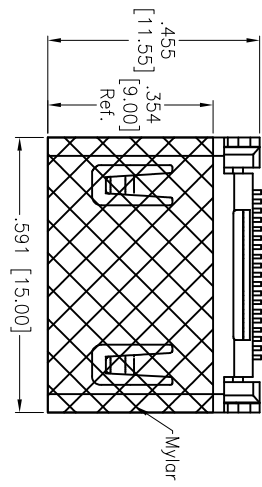


Rev	AWO #	Description	Date	Appr
-		RELEASED	11/4/10	
A		REVISED DIM.	7/4/11	
B		REDRAWN	12/22/12	

APPROVED: _____
DATE: _____ TITLE: _____



PCB EDGE

RECOMMENDED PCB LAYOUT

PACKAGED ON TAPE & REEL

SPECIFICATIONS:
Material: Hi-temp thermoplastic, UL 94V-0
Housing color: Black
Contact: Copper Alloy
Shield: Copper Alloy, Matt Tin plated
Plating: Gold flash over Nickel underplate on contact area, Tin over Copper underplate on tails.
Electrical:
Voltage rating: 40V
Current rating: 0.5A
Contact resistance: 10 mohms max.
Insulation resistance: 100 Megohm min.
Dielectric strength: 500VAC for 1 minute min.
Temperature Rating: Operating temperature: -20°C to +85°C
Environmental: Lead free, RoHS Compliant

UNLESS OTHERWISE SPECIFIED ALL DIMENSIONS ARE INCHES [MM] TOLERANCES: EXCEPT AS NOTED

INCHES		HOLES	
.X	± .10	ØX	± .10
.XX	± .020	ØXX	± .015
.XXX	± .015	ØXXX	± .010

APPROVALS: _____ DATE: _____

APPROVED	CHECKED	DRAWN
AH	AH	AY

ADAM TECH
909 Rahway Avenue, Union, NJ 07083
Phone: 908-687-5000 Fax: 908-687-5710

TITLE: **HDMI CONNECTOR, RIGHT ANGLE SMT TYPE, HEADER ASSEMBLY**

SIZE	PART NO.	REV.
X	HDMI-S-RA-SMT-A-T/R	B

REF: S00015C SCALE: NTS SHEET 1 OF 2



6

5

4

3

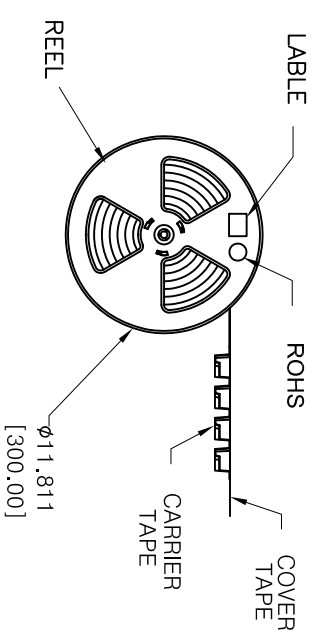
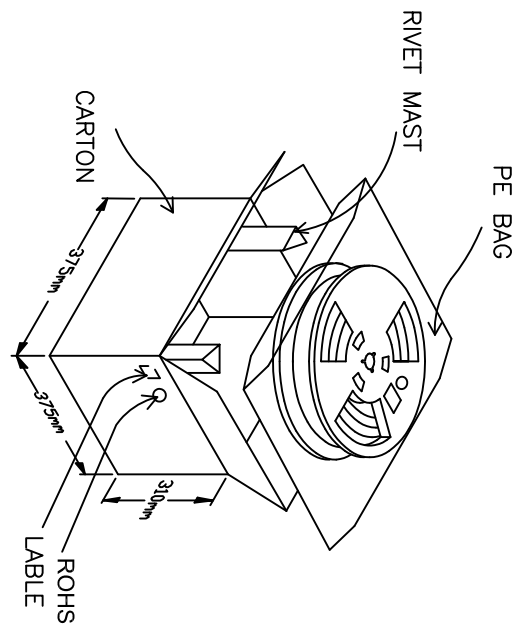
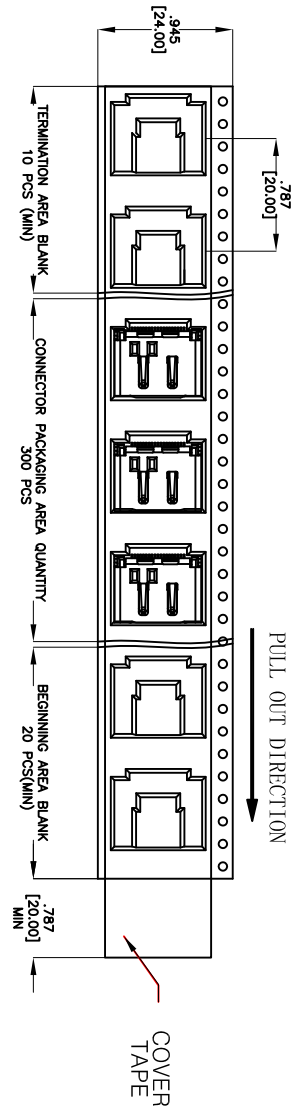
2

1

Rev	AWO #	Description	Date	Appr
		SEE SHT 1 OF 2 FOR REVISION		

APPROVED: _____

DATE: _____ TITLE: _____



PACKAGED ON TAPE & REEL

SPECIFICATIONS:
 CARTON: 37.5 X 37.5 X 31.0CM
 300pcs/reel, 10reels/carton
 3000pcs/ carton

UNLESS OTHERWISE SPECIFIED ALL DIMENSIONS ARE INCHES [MM]	
TOLERANCES: EXCEPT AS NOTED	
INCHES	HOLES
.X ± .10	ØX ± .10
.XX ± .020	ØXXX ± .015
.XXX ± .015	ØXXXX ± .010
APPROVALS	DATE
DRAWN AY	11/4/10
CHECKED AH	11/4/10
APPROVED	

ADAM TECH
 909 Rahway Avenue, Union, NJ 07083
 Phone: 908-687-5000 Fax: 908-687-5710

TITLE: HDMI CONNECTOR, RIGHT ANGLE
 SMT TYPE, HEADER ASSEMBLY

SIZE: X
 PART NO.: HDML-S-RA-SMT-A-T/R
 REF: S00015C SCALE: NTS SHEET 2 OF 2

A

B

C

D

A

B

C

D

6

5

4

3

2

1