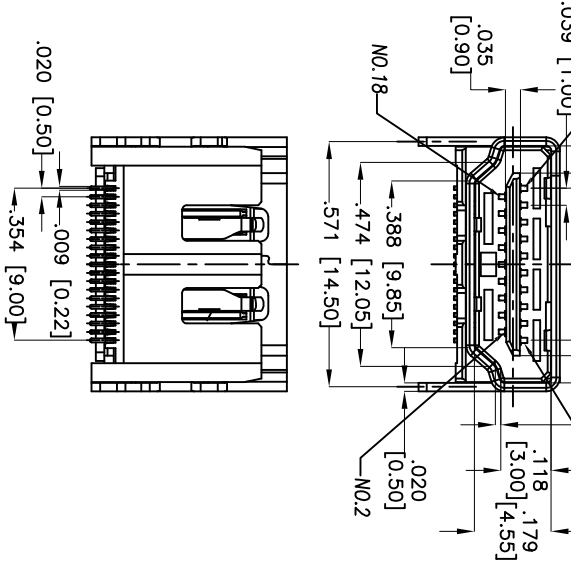
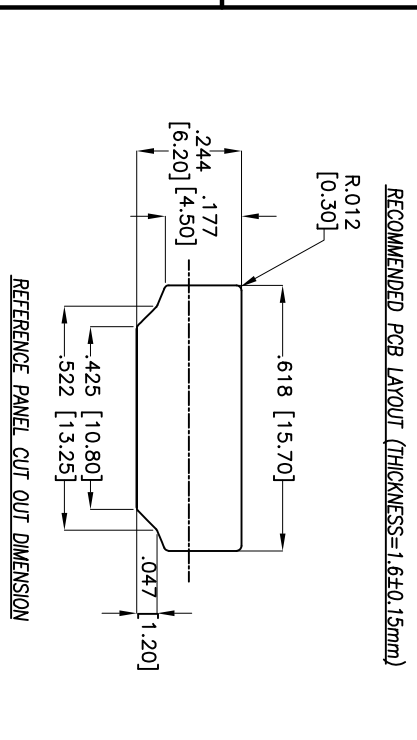
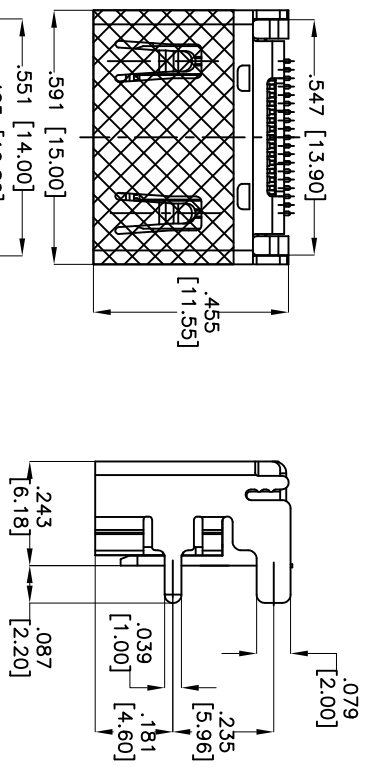
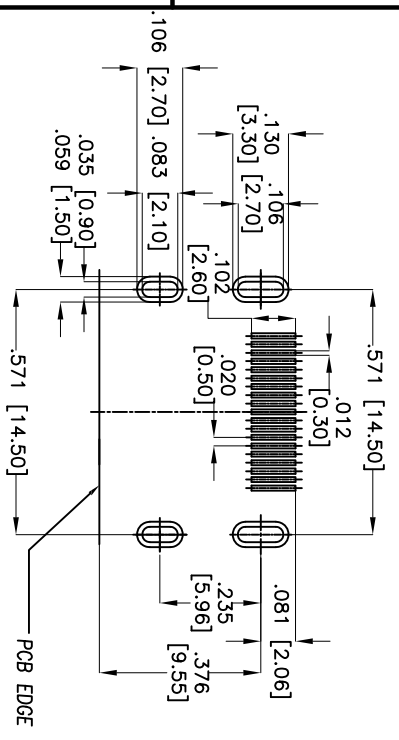


Rev	AWO #	Description	Date	Appr
-		RELEASED	8/31/12	

6 5 4 3 2 1

APPROVED: _____
 DATE: _____ TITLE: _____



PACKAGED ON TAPE & REEL

SPECIFICATIONS:
 Material: _____
 Housing: Hi-temp thermoplastic, UL 94V-0
 Housing color: Black
 Contact: Brass
 Shield: Brass, Nickel plated
 Plating: _____
 Gold flash over Nickel underplate on contact area,
 Tin over Copper underplate on tails.
 Electrical:
 Voltage rating: 40V
 Current rating: 0.5A
 Insulation resistance: 100 Megohm min.
 Contact resistance: 30 mohms max.
 Temperature Rating:
 Operating temperature: -20°C to +85°C
 Environmental:
 Lead free, RoHS Compliant



UNLESS OTHERWISE SPECIFIED
 ALL DIMENSIONS ARE INCHES [MM]
 TOLERANCES: EXCEPT AS NOTED

INCHES	HOLES
.X ± .10	ØX ± .10
.XX ± .020	ØXX ± .015
.XXX ± .015	ØXXX ± .010

APPROVALS

DATE	DATE
AY	8/31/12
GH	8/31/12

ADAM TECH
 909 Railway Avenue, Union, NJ 07083
 Phone: 908-687-5000 Fax: 908-687-5710

TITLE: **HDMI CONNECTOR, RIGHT ANGLE SINGLE, SMT TYPE, NO RIB**

SIZE: X PART NO.: **HDMI-S-RA-SMT-NR-KT-T/R**

REF: S00073C SCALE: NTS SHEET 1 OF 1

6 5 4 3 2 1