

6

5

4

3

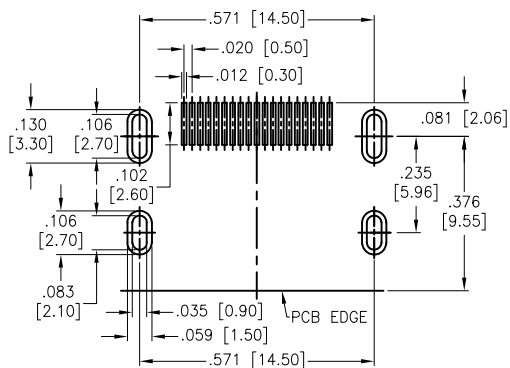
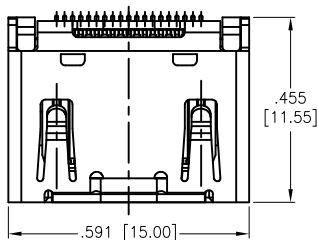
2

1

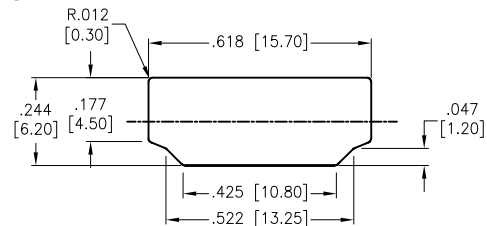
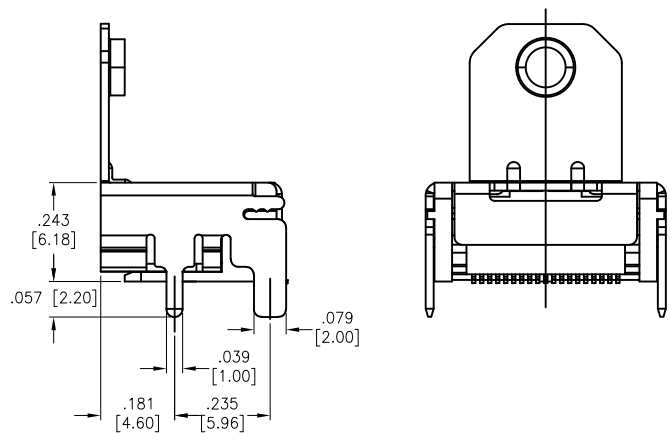
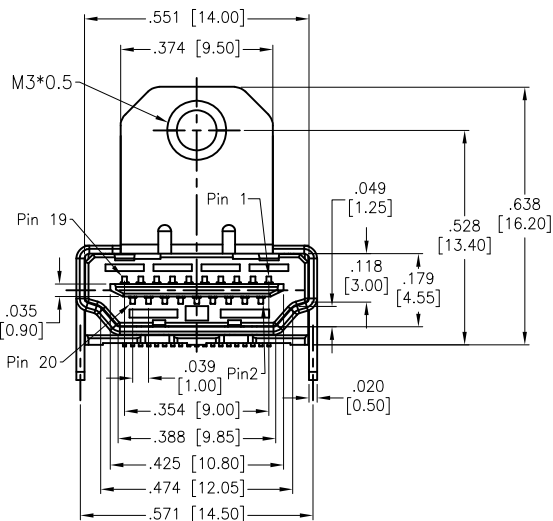
APPROVED: \_\_\_\_\_

DATE: \_\_\_\_\_ TITLE: \_\_\_\_\_

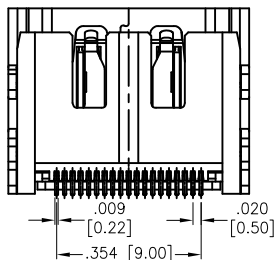
Rev	AWO #	Description	Date	Appr
-		RELEASED	9/8/16	



RECOMMENDED PCB LAYOUT



RECOMMENDED PANEL CUT



SPECIFICATIONS:

Material:  
 Insulator: Hi-Temp Thermoplastic, rated UL 94V-0  
 Insulator color: Black  
 Contacts: Brass  
 Shield: Brass, Nickel Plated  
 Plating:  
 Gold Flash over Nickel underplate on contact area,  
 Matte Tin over Nickel underplate on tails  
 Electrical:  
 Voltage rating: 40 V  
 Current rating: 0.5 A  
 Contact resistance: 30 mohms max.  
 Insulation resistance: 100 Mohms min.  
 Temperature Rating:  
 Operating temperature: -20°C to +85°C  
 Environmental:  
 Lead free, RoHS compliant.



PACKAGED ON TAPE & REEL

UNLESS OTHERWISE SPECIFIED ALL DIMENSIONS ARE INCHES [MM] TOLERANCES: EXCEPT AS NOTED			
INCHES		HOLES	
.X ± .10	Ø.X ± .10		
.XX ± .020	Ø.XX ± .015		
.XXX ± .015	Ø.XXX ± .010		
APPROVALS		DATE	
DRAWN	HR	9/8/16	
CHECKED	MY	9/8/16	
APPROVED			

# ADAM TECH

909 Rahway Avenue, Union, NJ 07083  
 Phone: 908-687-5000 Fax: 908-687-5710

TITLE  
 HDMI CONNECTOR, RIGHT ANGLE,  
 SURFACE MOUNT, MOUNTING FLANGE

SIZE	PART NO.	REV.
X	HDMI-S-RA-SMT-NR-MF-HF-T/R	-
REF: S00027T	SCALE: NTS	SHEET 1 OF 1

6

5

4

3

2

1