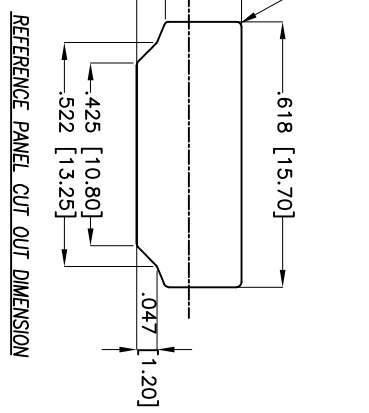
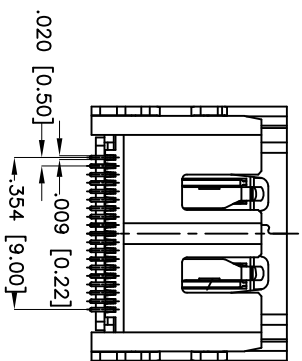
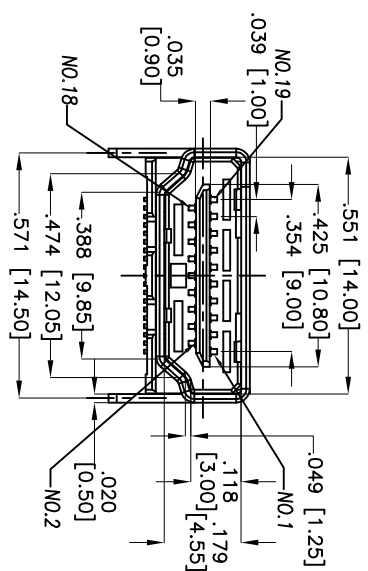
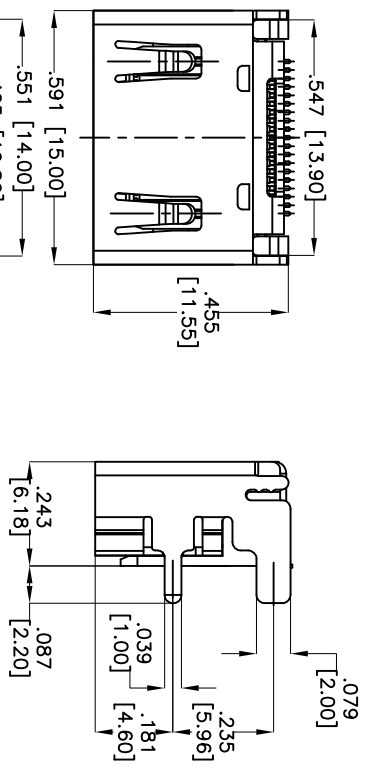
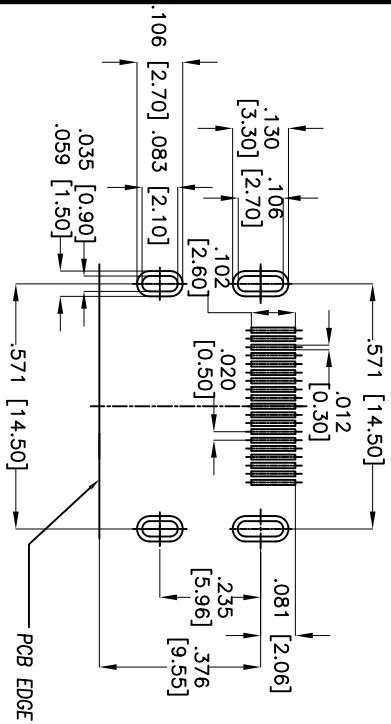


| Rev | AWO # | Description | Date | Appr |
|-----|-------|-------------|---------|------|
| - | | RELEASED | 12/6/12 | |

APPROVED: _____ TITLE: _____
 DATE: _____



SPECIFICATIONS:

- Material: Hi-temp thermoplastic, UL 94V-0
- Housing color: Black
- Contact: Brass
- Shield: Brass, Nickel plated
- Plating: Gold flash over Nickel underplate on contact area, Tin over Copper underplate on tails.

- Electrical: Voltage rating: 40V
- Current rating: 0.5A
- Insulation resistance: 100 Megohm min.
- Contact resistance: 30 mohms max.
- Temperature Rating: Operating temperature: -20°C to +85°C

- Environmental: Lead free, RoHS Compliant



UNLESS OTHERWISE SPECIFIED
 ALL DIMENSIONS ARE INCHES [MM]
 TOLERANCES: EXCEPT AS NOTED

| INCHES | HILES |
|-------------|-------------|
| .X ± .10 | ØX ± .10 |
| .XX ± .020 | ØXX ± .015 |
| .XXX ± .015 | ØXXX ± .010 |

ADAM TECH
 909 Railway Avenue, Union, NJ 07083
 Phone: 908-687-5000 Fax: 908-687-5710

TITLE: **HDMI CONNECTOR, RIGHT ANGLE SINGLE, SMT TYPE, NO RIB**

| APPROVALS | DATE | SIZE | PART NO. | SCALE | SHEET | OF | REV. |
|------------|---------|------|------------------|-------|-------|----|------|
| DRAWN AY | 12/6/12 | X | HDMI-S-RA-SMT-NR | NIS | 1 | 1 | |
| CHECKED CC | 12/6/12 | | | | | | |
| APPROVED | | | | | | | |