

Rev	AWO #	Description	Date	Appr
-		RELEASED	6/23/06	

APPROVED: \_\_\_\_\_  
 DATE: \_\_\_\_\_ TITLE: \_\_\_\_\_

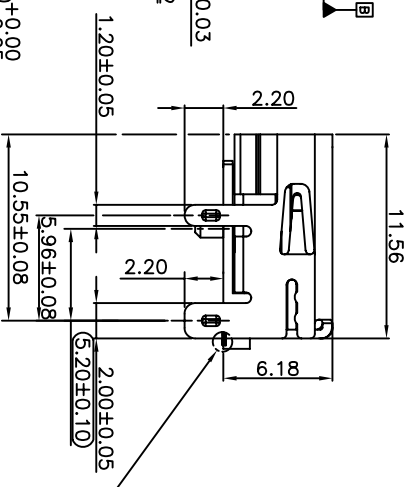
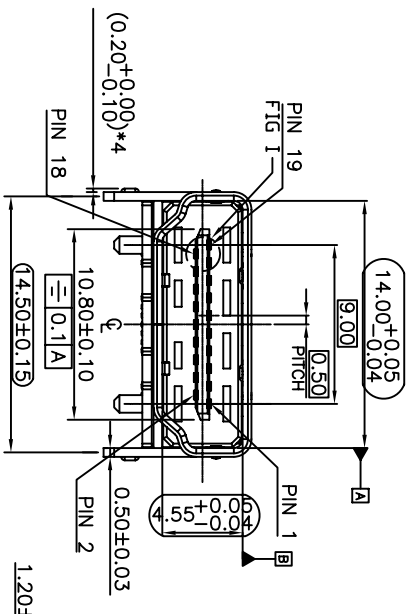
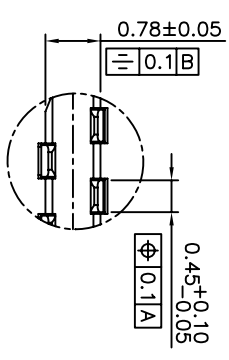
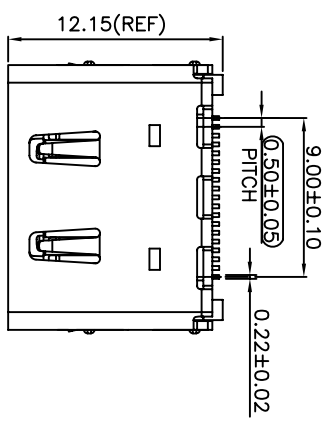
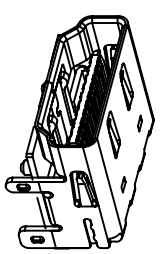
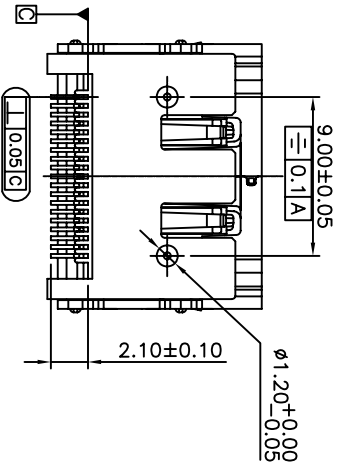


FIG 1 (S=4:1)  
 FIG 2 (S=4:1)  
 FIG 3 (S=4:1)



**SPECIFICATIONS:**  
 Material: Insulator: Hi-Temp Thermoplastic, rated UL 94V-0  
 Insulator color: Black  
 Shield: Copper Alloy, Nickel Plated  
 Contacts: Copper Alloy  
 Plating: Gold Flash over Nickel underplate on contact area, Tin over Copper underplate on tails  
 Electrical:  
 Operating voltage: 40V AC/DC max.  
 Current rating: 0.8 Amps max.  
 Contact resistance: 30 mohms max.  
 Insulation resistance: 100 Mohms min.  
 Dielectric withstanding voltage: 300 VAC for 1 minute  
 Temperature Rating:  
 Operating temperature: -25°C to +85°C  
 Environmental:  
 Lead free, RoHS compliant.  
 Recommended soldering temp: 260° for 5 sec.

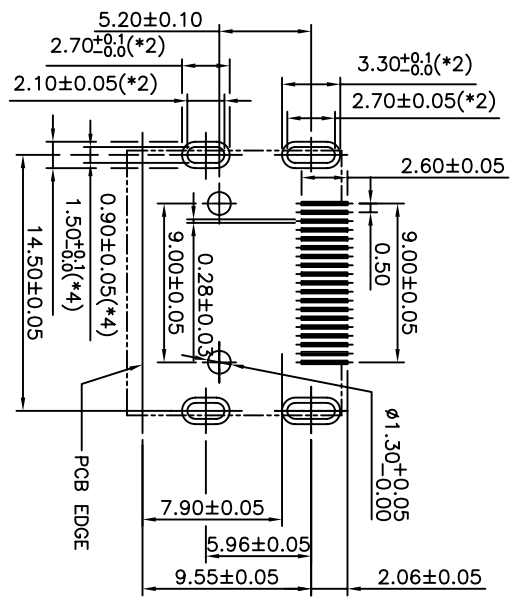


UNLESS OTHERWISE SPECIFIED  
 ALL DIMENSIONS ARE INCHES [MM]  
 TOLERANCES: EXCEPT AS NOTED  
 INCHES Holes ±.10  
 .X ±.10  
 .XX ±.020  
 .XXX ±.015  
 .XXX ±.015

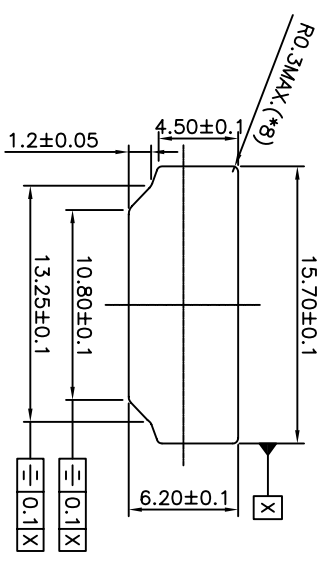
**ADAM TECH**  
 909 Rahway Avenue, Union, NJ 07083  
 Phone: 908-687-5000 Fax: 908-687-5710

TITLE: HDMI CONNECTOR, 19 POS, RIGHT ANGLE SURFACE MOUNT

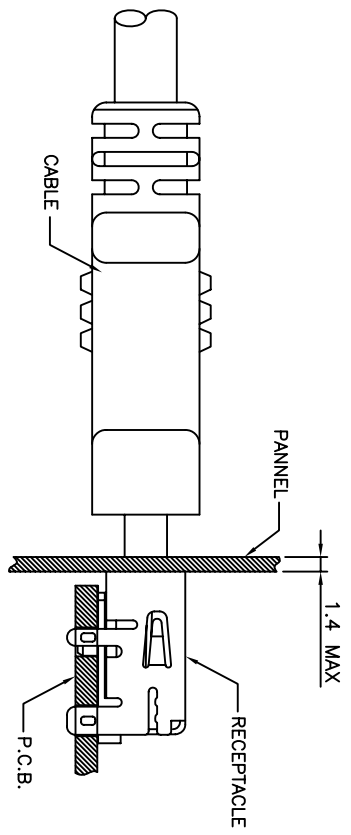
DRAWN	SS	DATE	6/23/06
CHECKED			
APPROVED			
SIZE	PART NO.	TITLE	REV.
X	HDMI-S-RA-SMT-P	HDMI CONNECTOR, 19 POS, RIGHT ANGLE SURFACE MOUNT	
REF:	SCALE: NTS	SHEET 1 OF 2	



RECOMMENDED PCB LAYOUT (THICKNESS=1.6±0.15mm)  
TOLERANCES: ±0.05mm



REFERENCE PANEL CUT OUT DIMENSION



REFERENCE MOUNT DIMENSION

UNLESS OTHERWISE SPECIFIED  
ALL DIMENSIONS ARE INCHES [MM]  
TOLERANCES: EXCEPT AS NOTED  
INCHES HOLES  
.X ±.10 Ø.X ±.10  
.XX ±.020 Ø.XXX ±.015  
.XXX ±.015 Ø.XXXX ±.010

**ADAM TECH**  
909 Rahway Avenue, Union, NJ 07083  
Phone: 908-687-5000 Fax: 908-687-5710

TITLE: HDMI CONNECTOR, 19 POS, RIGHT ANGLE SURFACE MOUNT

APPROVED	SS	6/23/06	DATE
CHECKED			
DRAWN			
APPROVALS			
SIZE	PART NO.	REV.	
X	HDMI-S-RA-SMT-P		
SCALE:	NTS	SHEET	2 OF 2