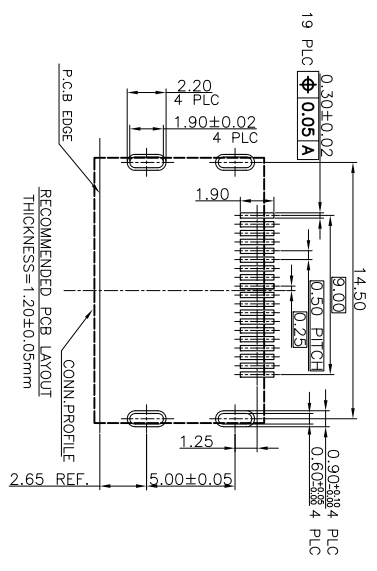
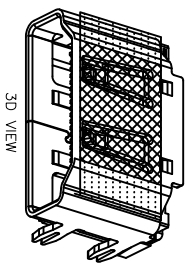
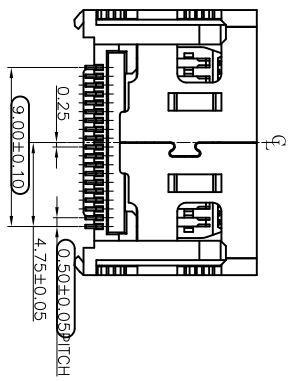
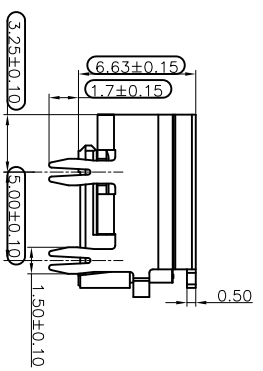
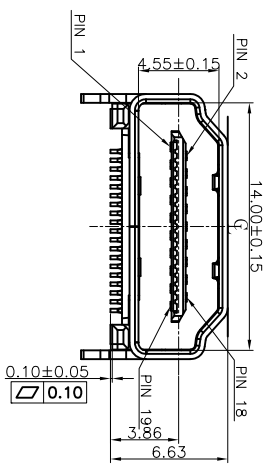
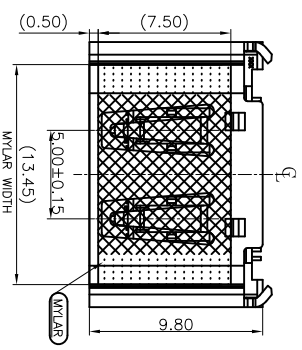


Rev	AWO #	Description	Date	Appr
-		RELEASED	2/8/12	

APPROVED: _____ TITLE: _____
 DATE: _____



SPECIFICATIONS:

Material:

Insulator: Hi-temp thermoplastic, rated UL 94V-0

Insulator color: Black

Contact: Copper Alloy

Shell: Copper Alloy, Nickel plated

Plating:

Gold flash over Nickel underplate on contact area,
 Tin over Nickel underplate on tails.

Electrical:

Volatge Rating: 40V

Current rating: 0.5 Amps max.

Contact resistance: 30 mΩ max. Initial

Insulation Resistance: 10 MΩ min @ 150V DC

Dielectric withstanding voltage: 300 VAC for 1 minute.

Mechanical:

Insertion Force: 1.0~4.0 KGS

Withdrawal Force: 4.5 KGS Max.

Temperature Rating:
 Operating temperature: -25°C to +85°C

Environmental:
 Lead free, RoHS Compliant

ADAM TECH

909 Rahway Avenue, Union, NJ 07083
 Phone: 908-687-5000 Fax: 908-687-5710

TITLE: HDMI CONNECTOR, FEMALE, RIGHT ANGLE,
 REVERSE FACE, SURFACE MOUNT

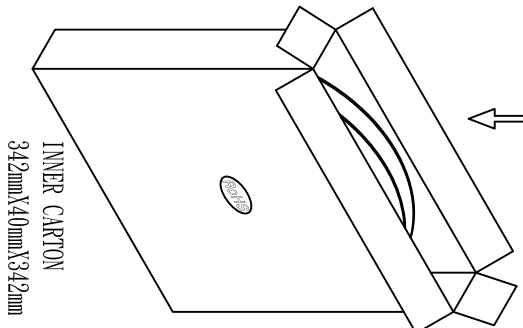
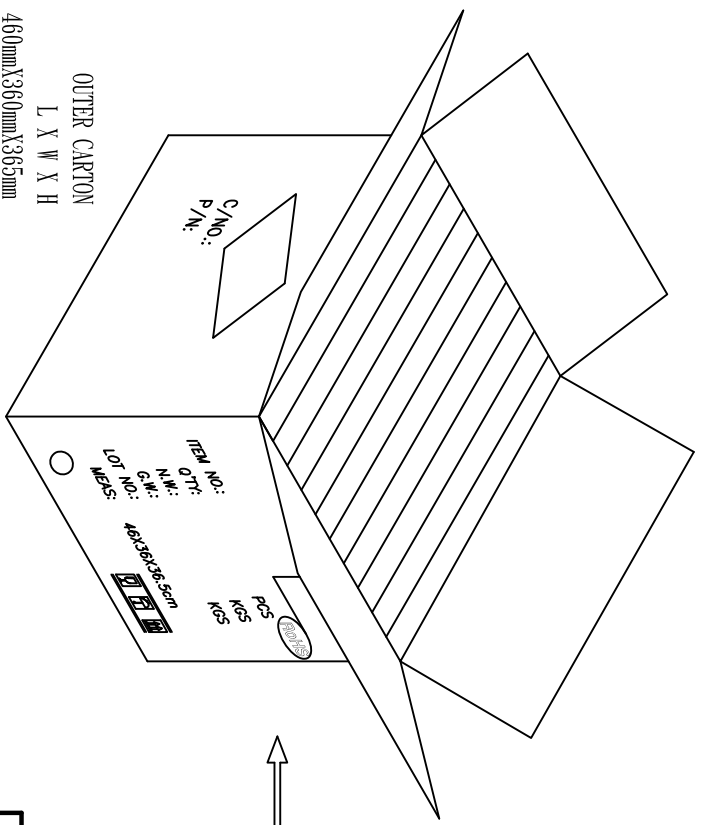
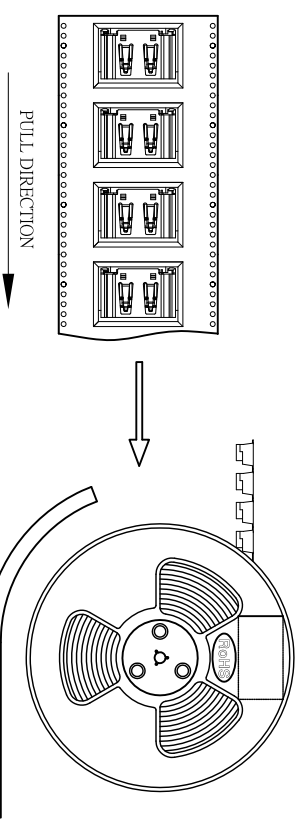
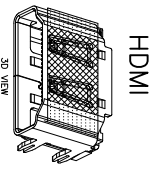
UNLESS OTHERWISE SPECIFIED ALL DIMENSIONS ARE MILLIMETERS TOLERANCES: EXCEPT AS NOTED	
X ±.25	HOLES
XX ±.15	ØXX ±.013
XXX ±.05	
APPROVALS	
DRAWN	HR
CHECKED	YC
APPROVED	

SIZE	PART NO.	REV.
X	HDMI-S-RA-SMT-RF-04KT-TR	-
REF:	S00013T	
SCALE:	NTS	
SHEET	1 OF 2	

APPROVED: _____

DATE: _____ TITLE: _____

Rev	AWO #	Description	Date	Appr
		SEE SHT 1 OF 2 FOR REVISION		



- Notes:
- QTY 420 PER REEL
 - OUTER CARTON CONTAINS 10 INNER CARTONS. TOTAL 4,200PCS

UNLESS OTHERWISE SPECIFIED
ALL DIMENSIONS ARE MILLIMETERS
TOLERANCES: EXCEPT AS NOTED
INCHES

X ± .25
XX ± .15
.XXX ± .05

ØXXX ± .013

ADAM TECH
909 Rahway Avenue, Union, NJ 07083
Phone: 908-687-5000 Fax: 908-687-5710

TITLE: HDMI CONNECTOR, FEMALE, RIGHT ANGLE, REVERSE FACE, SURFACE MOUNT

APPROVALS	DATE	SIZE	PART NO.	REV.
DRAWN	HR	2/8/12		
CHECKED	YC	2/8/12	HDMI-S-RA-SMT-RF-04-KT-TR	-
APPROVED				

REF: S00013T SCALE: NTS SHEET 2 OF 2

6 5 4 3 2 1

A B C D A B C D