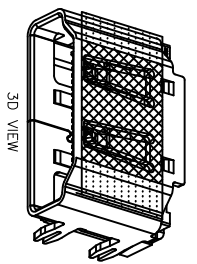
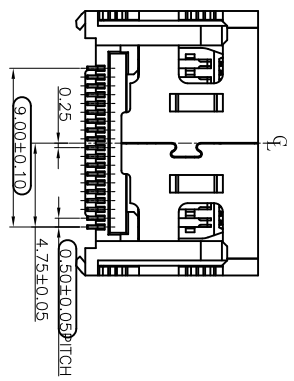
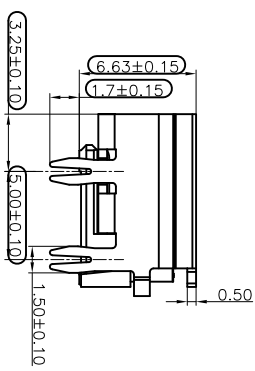
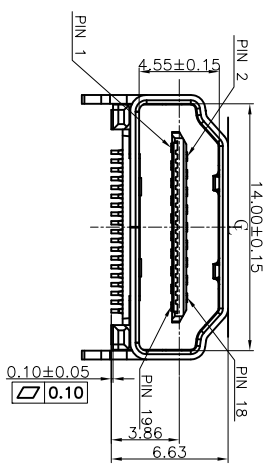
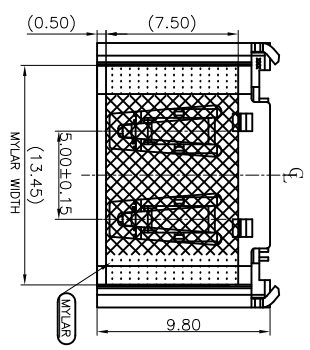
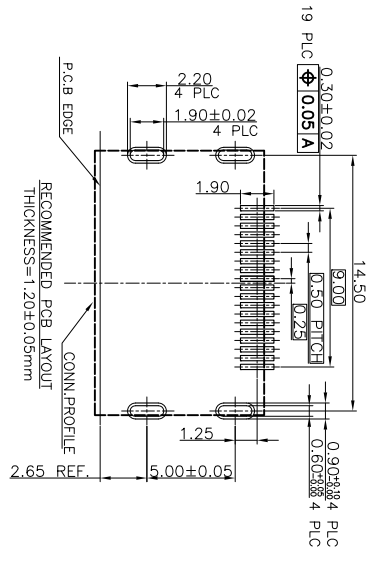


APPROVED: \_\_\_\_\_ TITLE: \_\_\_\_\_

DATE: \_\_\_\_\_

| Rev | AWO # | Description | Date   | Appr |
|-----|-------|-------------|--------|------|
| -   |       | RELEASED    | 4/9/14 |      |



6 5 4 3 2 1

**SPECIFICATIONS:**  
**Material:**  
 Insulator: Hi-temp thermoplastic, rated UL 94V-0  
 Insulator color: Black  
 Contact: Copper Alloy  
 Shell: Copper Alloy, Nickel plated  
**Plating:**  
 Gold flash over Nickel underplate on contact area,  
 Tin over Nickel underplate on tails.  
**Electrical:**  
 Voltage Rating: 40V  
 Current rating: 0.5 Amps max. Pins 1 ~ 17  
 1.5 Amps max. Pin 18 (Charging MHL)  
 Contact resistance: 30 mΩ max. Initial  
 Insulation Resistance: 10 MΩ min @ 150V DC  
 Dielectric withstanding voltage: 300 VAC for 1 minute.  
**Mechanical:**  
 Insertion Force: 1.0~4.0 KGS  
 Withdrawal Force: 4.5 KGS Max.  
 Durability: 3,000 Cycles min.  
 Temperature Rating:  
 Operating temperature: -40°C to +85°C  
 Environmental:  
 Lead free, RoHS Compliant

**UNLESS OTHERWISE SPECIFIED**  
 ALL DIMENSIONS ARE MILLIMETERS  
 TOLERANCES: EXCEPT AS NOTED  
 INCHES HOLES  
 X ±.25 ØXX ±.013  
 .XX ±.15  
 .XXX ±.05

| APPROVALS |    | DATE   |
|-----------|----|--------|
| DRAWN     | HR | 4/9/14 |
| CHECKED   | YC | 4/9/14 |
| APPROVED  |    |        |

|                                    |          |  |        |
|------------------------------------|----------|--|--------|
| TITLE                              |          | HDMI CONNECTOR, FEMALE, RIGHT ANGLE, REVERSE FACE, SURFACE MOUNT, HIGH CURRENT |        |
| 909 Rahway Avenue, Union, NJ 07083 |          | Phone: 908-687-5000 Fax: 908-687-5710  |        |
| SIZE                               | PART NO. | HDMI-S-RA-SMT-RF-HC-KT-TR  |        |
| X                                  | X        | SCALE:   | MTS    |
| REF:                               | S0003T   | SHEET  | 1 OF 2 |

6 5 4 3 2 1

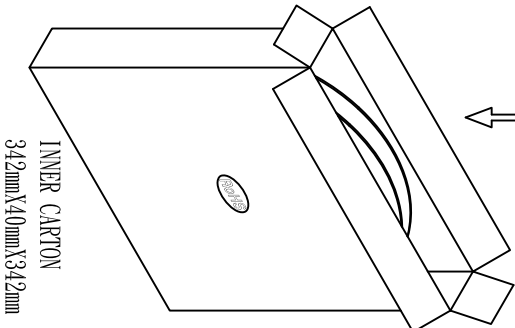
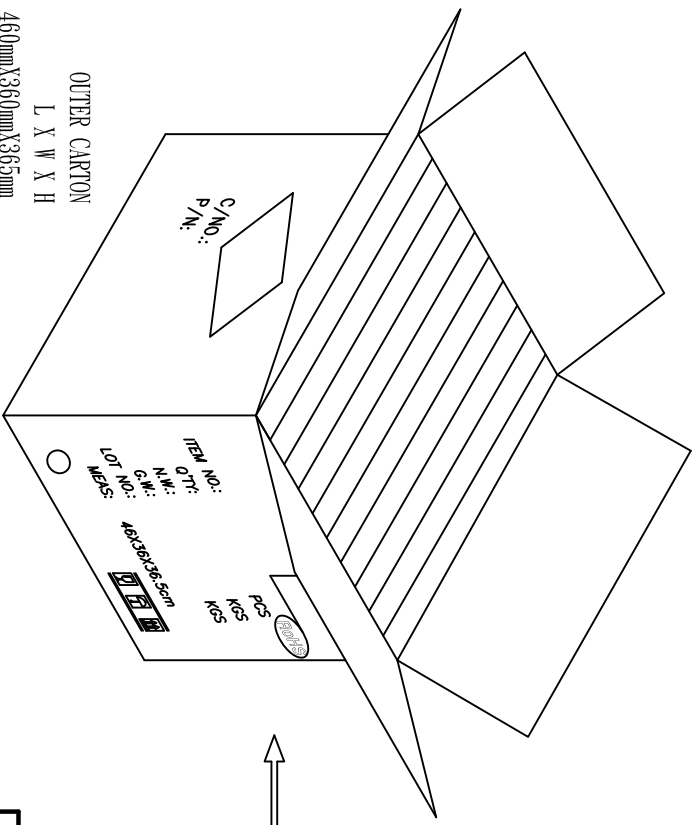
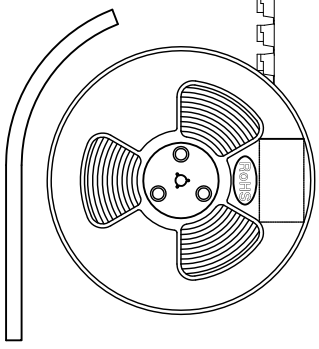
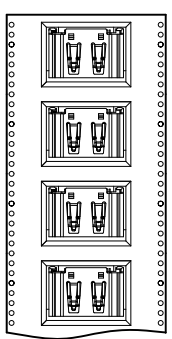
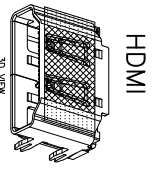
**ADAM TECH**  
 909 Rahway Avenue, Union, NJ 07083  
 Phone: 908-687-5000 Fax: 908-687-5710

ADAM TECH  
 909 Rahway Avenue, Union, NJ 07083  
 Phone: 908-687-5000 Fax: 908-687-5710

APPROVED: \_\_\_\_\_ TITLE: \_\_\_\_\_

DATE: \_\_\_\_\_

| Rev | AWO # | Description                 | Date | Appr |
|-----|-------|-----------------------------|------|------|
|     |       | SEE SH1 1 OF 2 FOR REVISION |      |      |



- Notes:
- QTY 420 PER REEL
  - OUTER CARTON CONTAINS 10 INNER CARTONS. TOTAL 4,200PCS

UNLESS OTHERWISE SPECIFIED  
ALL DIMENSIONS ARE MILLIMETERS  
TOLERANCES: EXCEPT AS NOTED  
INCHES

X ± .25  
XX ± .15  
XXX ± .05

ØXXX ± .013

**ADAM TECH**  
909 Rahway Avenue, Union, NJ 07083  
Phone: 908-687-5000 Fax: 908-687-5710

TITLE  
HDMI CONNECTOR, FEMALE, RIGHT ANGLE,  
REVERSE FACE, SURFACE MOUNT

| APPROVALS | DATE |
|-----------|------|
| DRAWN     | HR   |
| CHECKED   | YC   |
| APPROVED  |      |

| SIZE | PART NO.                  | REV. |
|------|---------------------------|------|
| X    | HDMI-S-RA-SMT-RF-HC-KT-TR | -    |

REF: S00013T SCALE: NTS SHEET 2 OF 2

