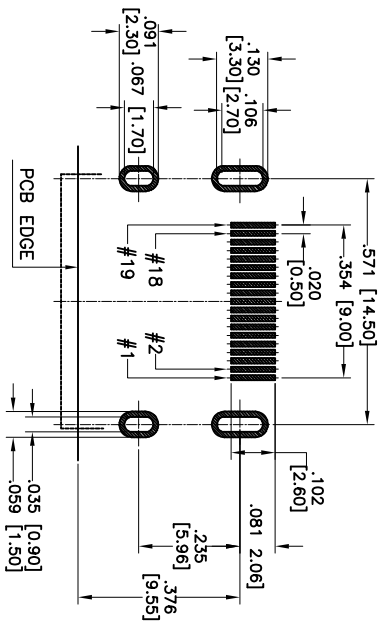
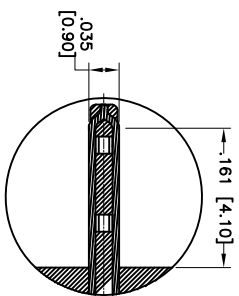
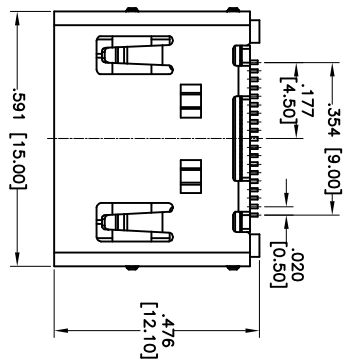
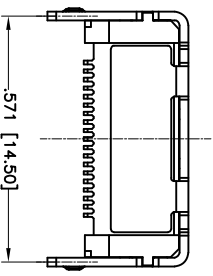
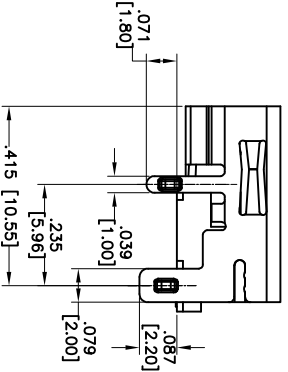
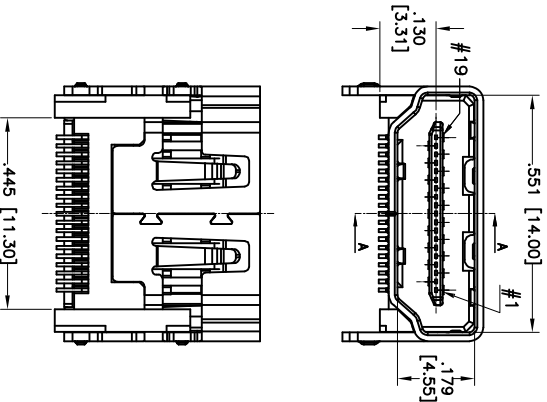


APPROVED: _____
 DATE: _____ TITLE: _____

Rev	AWO #	Description	Date	Appr
-		RELEASED	10/6/11	
A		REDRAWN	11/4/14	AV/MW



RECOMMENDED PCB LAYOUT



SPECIFICATIONS:

Material: Insulator: Hi-Temp Thermoplastic, rated UL 94V-0
 Insulator color: Black
 Shield: Copper Alloy, Nickel Plated
 Contacts: Copper Alloy

Plating: Gold flash over Nickel underplate on contact area, Tin over Copper underplate on tails
 Electrical: Current rating: 0.5 Amps max.
 Voltage rating: 40 VAC
 Contact resistance: 60 mohms max.
 Insulation resistance: 100 Mohms min.
 Dielectric withstanding voltage: 500 VAC for 1 minute
 Temperature Rating: Operating temperature: -40°C to +85°C
 Environmental: Lead free, RoHS compliant.



ADAM TECH

909 Rahway Avenue, Union, NJ 07083
 Phone: 908-687-5000 Fax: 908-687-5710

TITLE: HDMI CONNECTOR, 19 POS, RIGHT ANGLE SURFACE MOUNT

UNLESS OTHERWISE SPECIFIED ALL DIMENSIONS ARE INCHES [MM] TOLERANCES: EXCEPT AS NOTED INCHES	
.X ± .10	ØX ± .10
.XX ± .020	ØXX ± .015
.XXX ± .015	ØXXX ± .010
APPROVALS	DATE
DRAWN AY	10/6/11
CHECKED CC	10/6/11
APPROVED	

SIZE X	PART NO. HDML-S-RA-SMT	REV. A
REF: S00009T	SCALE: NTS	SHEET 1 OF 1

6

5

4

3

2

1

A

B

C

D