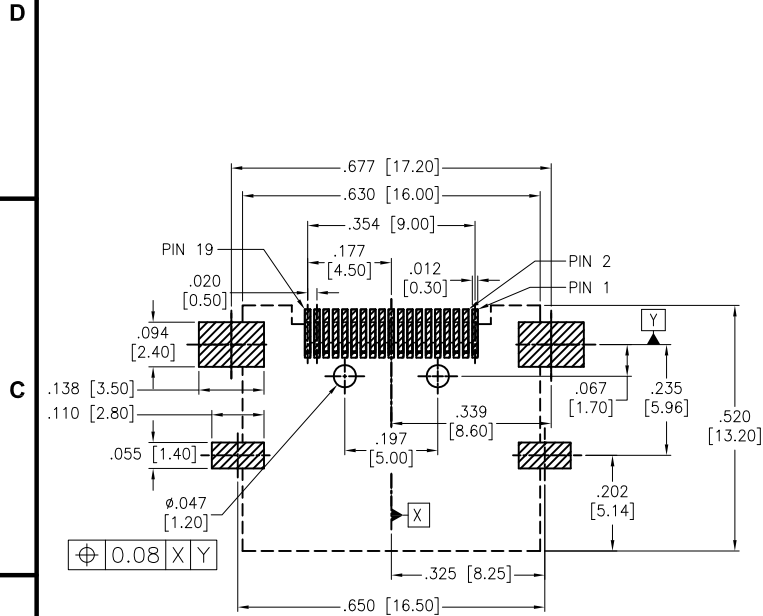


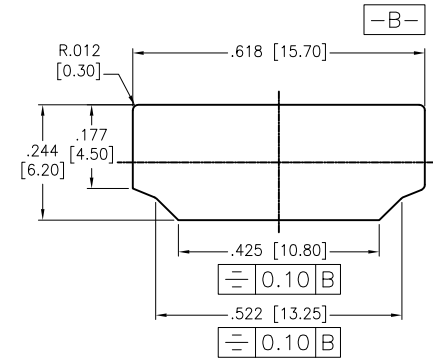
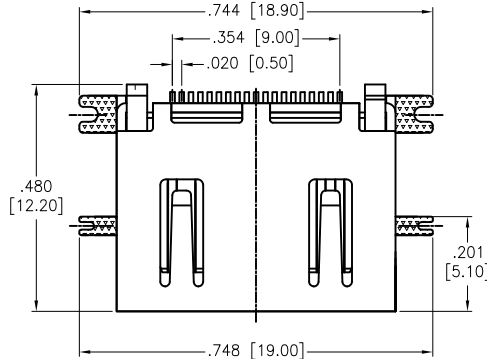
APPROVED: _____
 DATE: _____ TITLE: _____

Rev	AWO #	Description	Date	Appr
-		RELEASED	7/24/15	
A		UPDATED DRAWING	3/14/16	HR/JK

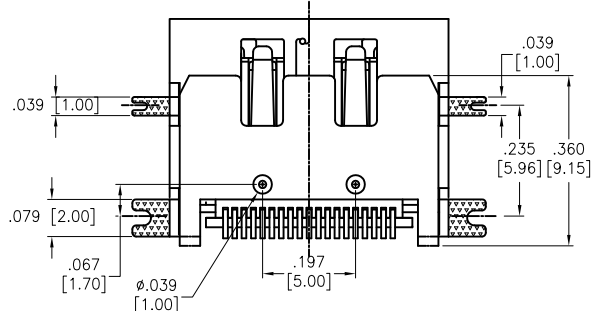
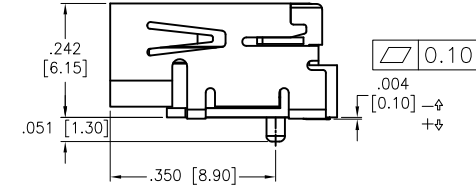
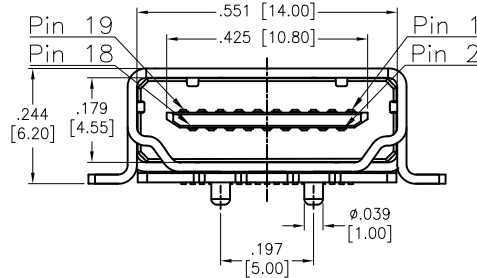


RECOMMENDED PCB LAYOUT

Hole AREA
 KEEP OUT AREA



RECOMMENDED PANEL CUT



SPECIFICATIONS:

Material:
 Insulator: Hi-Temp Thermoplastic, rated UL 94V-0
 Insulator color: Black
 Contacts: Copper Alloy
 Shell: Copper Alloy, Nickel Plated
 Plating:
 Gold flash over Nickel underplate on contact area,
 Tin over Copper underplate on tails

Electrical:
 Current rating: 0.5 A max.
 Current rating: 40 VAC max.
 Contact resistance: Contact: 30 mohms max.
 Shell: 50 mohms max.
 Insulation resistance: 100 Mohms min. @ 500 VDC
 Dielectric withstanding voltage: Unmated: 500 VAC for 1 minute
 Mated: 300 VAC for 1 minute

Temperature Rating:
 Operating temperature: -20°C to +85°C
 Environmental:
 Lead free, RoHS compliant.



UNLESS OTHERWISE SPECIFIED
 ALL DIMENSIONS ARE INCHES [MM]
 TOLERANCES: EXCEPT AS NOTED

INCHES		HOLES	
.X	± .10	∅X	± .10
.XX	± .020	∅.XX	± .015
.XXX	± .015	∅.XXX	± .010

APPROVALS		DATE
DRAWN	HR	7/24/15
CHECKED	LW	7/24/15
APPROVED		

ADAM TECH

909 Rahway Avenue, Union, NJ 07083
 Phone: 908-687-5000 Fax: 908-687-5710

TITLE: HDMI CONNECTOR, RIGHT ANGLE,
 SURFACE MOUNT

SIZE	PART NO.	REV.
X	HDMI-S-RA-TSMT-01A	A

REF: S00126T SCALE: NTS SHEET 1 OF 1