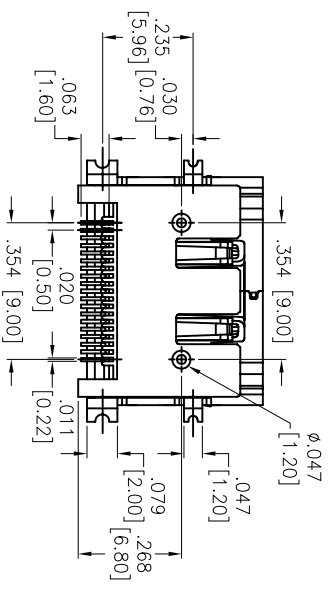
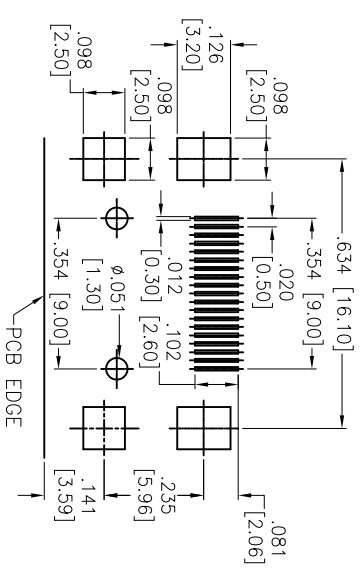
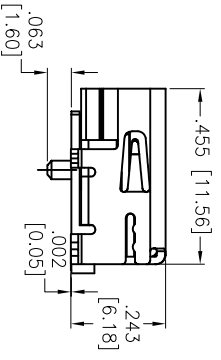
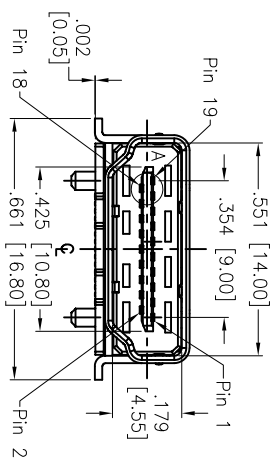
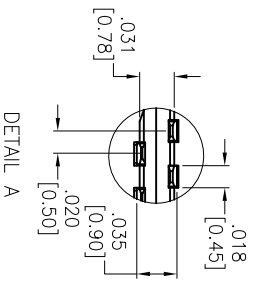
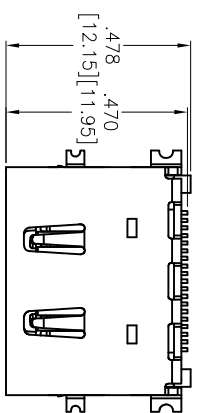


Rev	AWO #	Description	Date	Appr
-		RELEASED	8/19/14	

APPROVED: _____
 DATE: _____ TITLE: _____



SPECIFICATIONS:

- Material: Insulator: Hi-Temp Thermoplastic, rated UL 94V-0
- Insulator color: Black
- Shield: Copper Alloy, Nickel Plated
- Contacts: Copper Alloy
- Plating: 30u" Gold over Nickel underplate on contact area, Tin over Copper underplate on tails
- Electrical: Current rating: 0.5 Amps max. Contact resistance: 10 mohms max. Insulation resistance: 100 Mohms min. Dielectric withstanding voltage: 300 VAC for 1 minute
- Temperature Rating: Operating temperature: -55°C to +85°C
- Environmental: Lead free, RoHS compliant.

UNLESS OTHERWISE SPECIFIED	
ALL DIMENSIONS ARE INCHES [MM]	
TOLERANCES: EXCEPT AS NOTED	
INCHES	
.X ± .10	Ø.X ± .10
.XX ± .020	Ø.XXX ± .015
.XXX ± .015	Ø.XXXX ± .010
APPROVALS	DATE
DRAWN AY	8/19/14
CHECKED LL	8/19/14
APPROVED	

ADAM TECH
 909 Ratway Avenue, Union, NJ 07083
 Phone: 908-687-5000 Fax: 908-687-5710

TITLE: HDMI CONNECTOR, RIGHT ANGLE, SURFACE MOUNT

SIZE	PART NO.	REV.
X	HDMI-S-RA-TSMT-30	
REF:	S0003T	
SCALE:	NTS	
SHEET	1 OF 1	