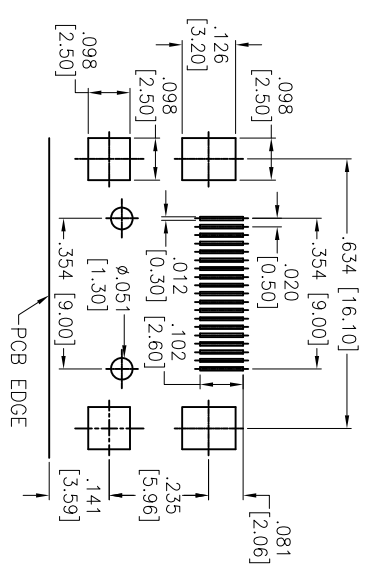
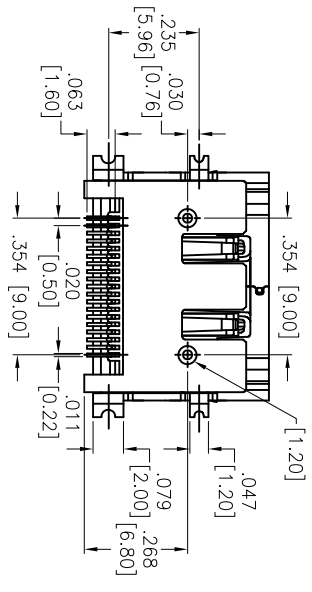
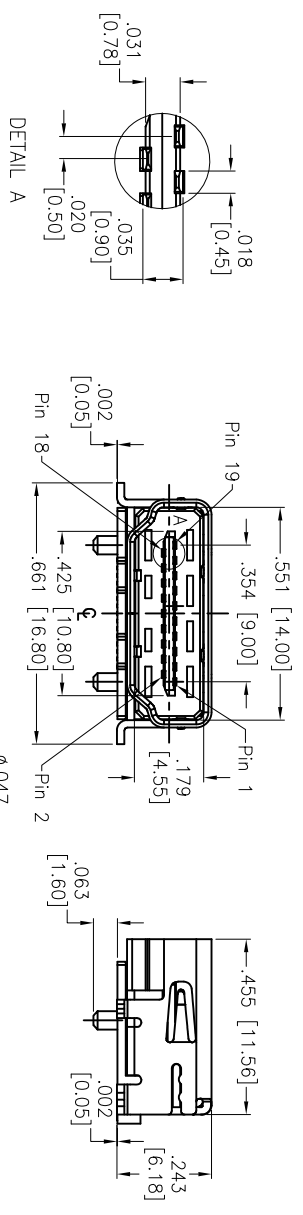
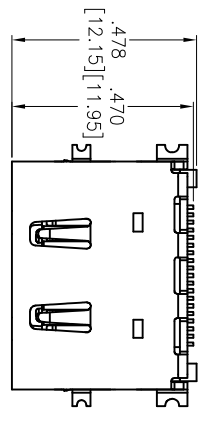


Rev	AWO #	Description	Date	Appr
-		RELEASED	11/25/11	

APPROVED: _____
 DATE: _____ TITLE: _____



SPECIFICATIONS:

Material:
 Insulator: Hi-Temp Thermoplastic, rated UL 94V-0
 Insulator color: Black
 Shield: Copper Alloy, Nickel Plated
 Contacts: Copper Alloy

Plating:
 Gold Flash over Nickel underplate on contact area,
 Tin over Copper underplate on tails

Electrical:
 Current rating: 0.5 Amps max.
 Contact resistance: 10 mohms max.
 Insulation resistance: 100 Mohms min.
 Dielectric withstanding voltage: 300 VAC for 1 minute

Temperature Rating:
 Operating temperature: -55°C to +85°C

Environmental:
 Lead free, RoHS compliant.

PACKAGED ON TAPE & REEL

UNLESS OTHERWISE SPECIFIED
 ALL DIMENSIONS ARE INCHES [MM]
 TOLERANCES: EXCEPT AS NOTED

INCHES	HOLES
.X ± .10	Ø.X ± .10
.XX ± .020	Ø.XXX ± .015
.XXX ± .015	Ø.XXXX ± .010

APPROVALS

APPROVALS	DATE
DRAWN TW	11/25/11
CHECKED AY	11/25/11
APPROVED	

ADAM TECH
 909 Ratway Avenue, Union, NJ 07083
 Phone: 908-687-5000 Fax: 908-687-5710

TITLE: HDMI CONNECTOR, RIGHT ANGLE, SURFACE MOUNT

SIZE	PART NO.	REV.
X	HDMI-S-RA-TSMT-1/R	

REF: S00013T SCALE: NTS SHEET 1 OF 1