

6

5

4

3

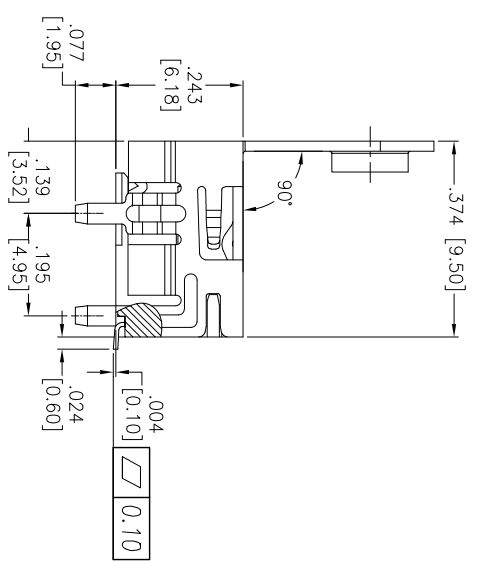
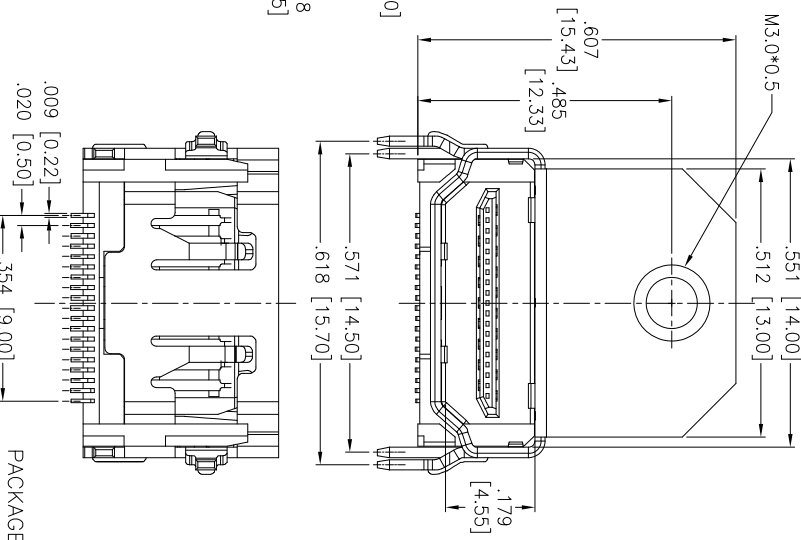
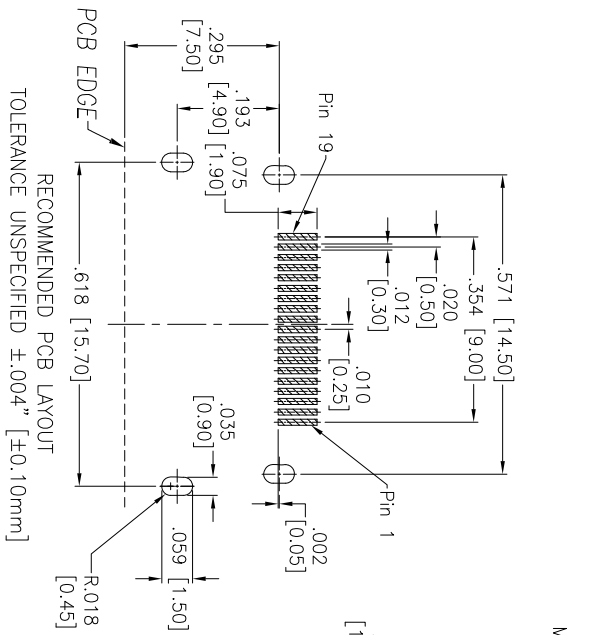
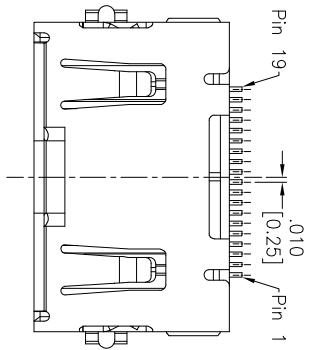
2

1

APPROVED: \_\_\_\_\_

DATE: \_\_\_\_\_ TITLE: \_\_\_\_\_

Rev	AWO #	Description	Date	Appr
-		RELEASED	10/8/14	
A		REVISED DIM.	5/14/15	AV/KW



RECOMMENDED PCB LAYOUT  
 TOLERANCE UNSPECIFIED ±.004" [±0.10mm]

PACKAGED ON TAPE & REEL

**SPECIFICATIONS:**

- Material: Housing: Hi-temp thermoplastic, UL 94V-0
- Housing color: Black
- Contact: Copper Alloy
- Shield: Copper Alloy
- Plating: 15u" Gold over Nickel underplate on contact area, Tin over Copper underplate on tails.
- Electrical: Voltage rating: 40V
- Current rating: 0.5A
- Contact resistance: 30 mohms max.
- Insulation resistance: 100 Megohm min.
- Temperature Rating: Operating temperature: -20°C to +85°C
- Environmental: Lead free, RoHS Compliant

**ADAM TECH**

909 Railway Avenue, Union, NJ 07083  
 Phone: 908-687-5000 Fax: 908-687-5710

TITLE: HDMI CONNECTOR WITH MOUNTING FLANGE  
 RIGHT ANGLE, SMT TYPE, 15u" SEL-GOLD

UNLESS OTHERWISE SPECIFIED ALL DIMENSIONS ARE INCHES [MM]	
TOLERANCES: EXCEPT AS NOTED	
INCHES	HOLDS
.X ± .10	ØXX ± .10
.XX ± .020	ØXXX ± .015
.XXX ± .015	ØXXXX ± .010
APPROVALS	DATE
DRAWN	SS
CHECKED	10/8/14
APPROVED	

SIZE	PART NO.	REV.
X	HDMI-S-RA1-SMT-02-MF-15-TR	A
REF:	S00073C	SHEET 1 OF 1
SCALE:	NTS	

6

5

4

3

2

1

