

6

5

4

3

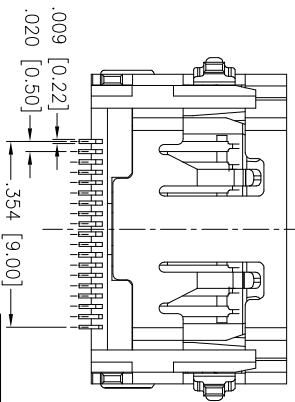
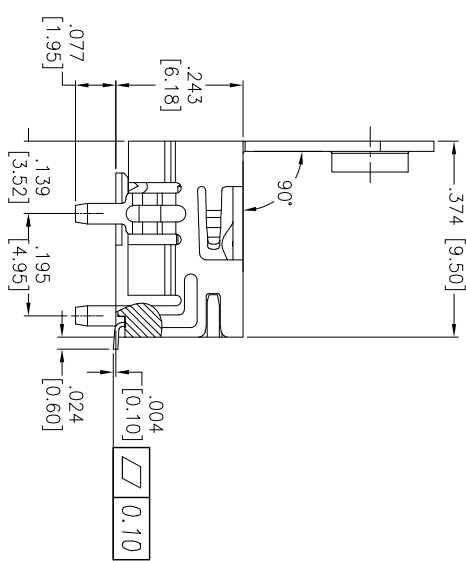
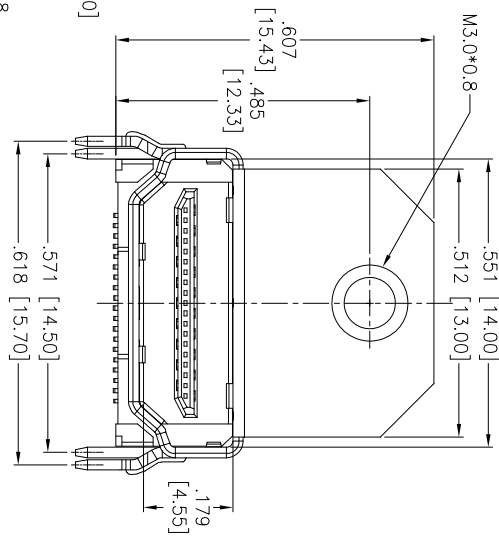
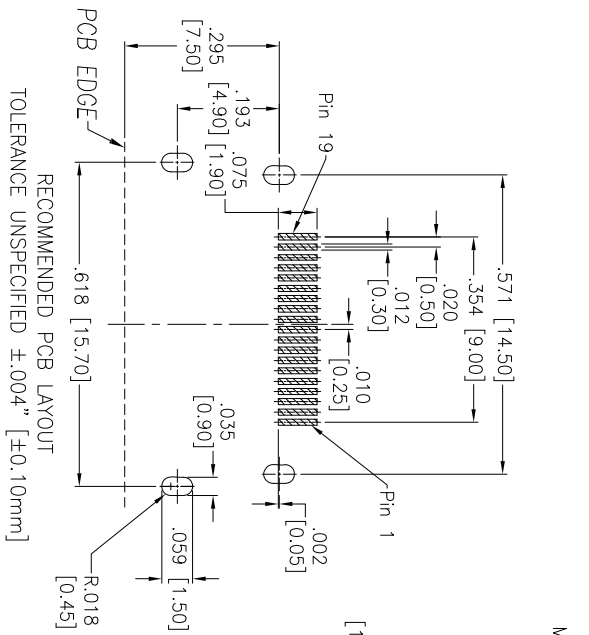
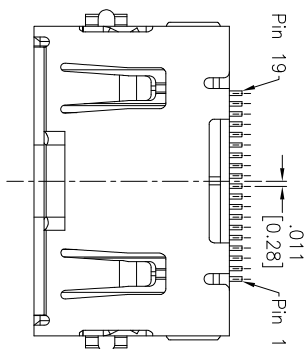
2

1

APPROVED: _____

DATE: _____ TITLE: _____

Rev	AWO #	Description	Date	Appr
-		RELEASED	6/09/10	
A		REDRAWN	07/02/12	
B		REVISED SHAPE	7/30/14	AV/JAC



SPECIFICATIONS:

- Material:** Housing: Hi-temp thermoplastic, UL 94V-0
- Housing color:** Black
- Contact:** Copper Alloy
- Shield:** Copper Alloy
- Plating:** 15u" Gold over Nickel underplate on contact area, Tin over Copper underplate on tails.
- Electrical:** Voltage rating: 40V
- Current rating: 0.5A
- Contact resistance: 30 mohms max.
- Insulation resistance: 100 Megohm min.
- Temperature Rating: Operating temperature: -20°C to +85°C
- Environmental:** Lead free, RoHS Compliant

ADAM TECH

909 Railway Avenue, Union, NJ 07083
 Phone: 908-687-5000 Fax: 908-687-5710

TITLE
 HDMI CONNECTOR WITH MOUNTING FLANGE
 RIGHT ANGLE, SMT TYPE, 15u" SEL-GOLD

UNLESS OTHERWISE SPECIFIED ALL DIMENSIONS ARE INCHES [MM]	
TOLERANCES: EXCEPT AS NOTED	
INCHES	HOLES
.X ± .10	ØXX ± .10
.XX ± .020	ØXXX ± .015
.XXX ± .015	ØXXXX ± .010
APPROVALS	DATE
DRAWN DY	6/09/10
CHECKED	
APPROVED	

SIZE	PART NO.	REV.
X	HDMI-S-RA1-SMT-02-MF-15	B
REF:	S00073C	
SCALE:	NTS	
SHEET	1 OF 1	



6

5

4

3

2

1