

6

5

4

3

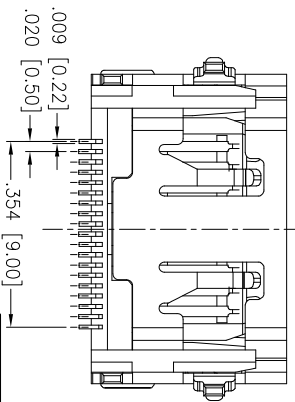
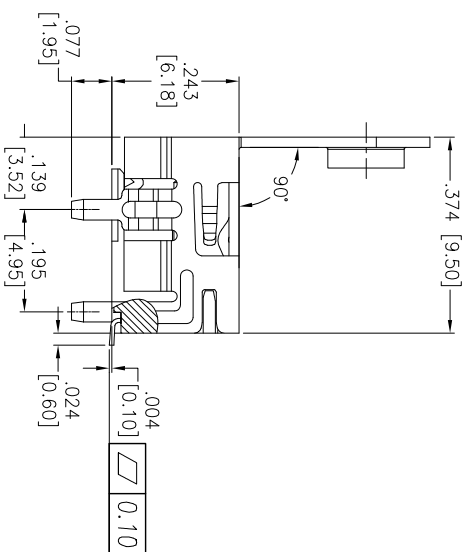
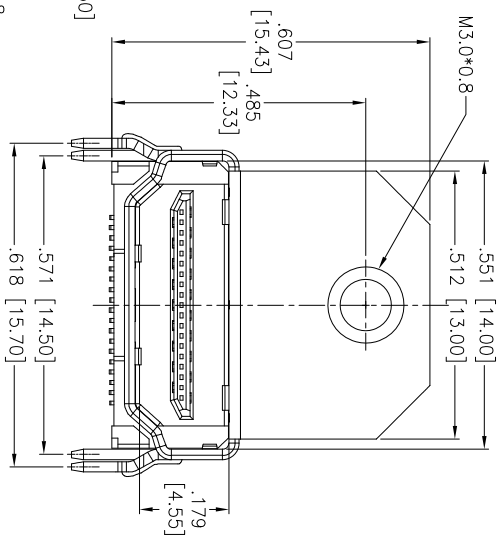
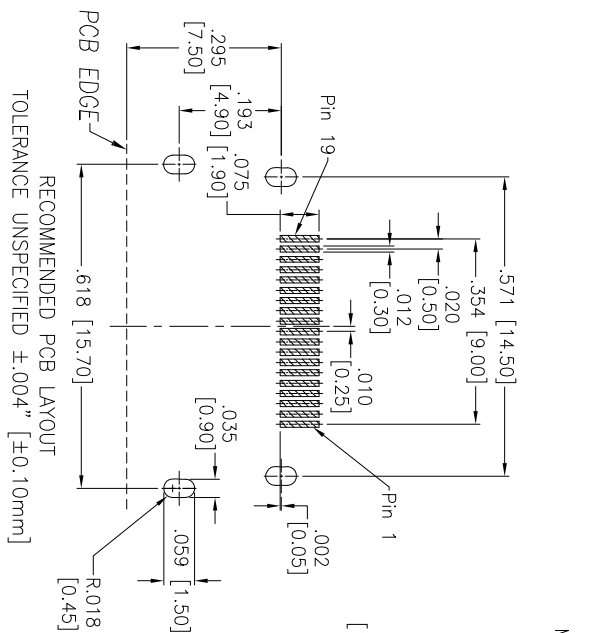
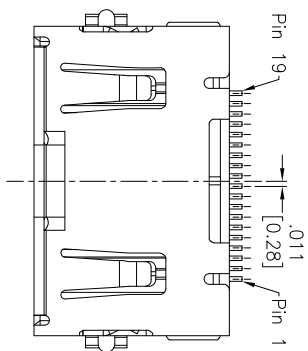
2

1

APPROVED: _____

DATE: _____ TITLE: _____

| Rev | AWO # | Description | Date | Appr |
|-----|-------|---------------|----------|--------|
| - | | RELEASED | 6/09/10 | |
| A | | REDRAWN | 07/02/12 | |
| B | | REVISED SHAPE | 7/30/14 | AV/JAC |



SPECIFICATIONS:

- Material:** Housing: Hi-temp thermoplastic, UL 94V-0
- Housing color:** Black
- Contact:** Copper Alloy
- Shield:** Copper Alloy
- Plating:** Gold Flash over Nickel underplate on contact area, Tin over Copper underplate on tails.
- Electrical:** Voltage rating: 40V
- Current rating: 0.5A
- Contact resistance: 30 mohms max.
- Insulation resistance: 100 Megohm min.
- Temperature Rating: Operating temperature: -20°C to +85°C
- Environmental:** Lead free, RoHS Compliant

A

B

C

D

6

5

4

3

2

1

ADAM TECH

909 Railway Avenue, Union, NJ 07083
Phone: 908-687-5000 Fax: 908-687-5710

**HDMI CONNECTOR WITH MOUNTING FLANGE
RIGHT ANGLE, SMT TYPE**

UNLESS OTHERWISE SPECIFIED
ALL DIMENSIONS ARE INCHES [MM]
TOLERANCES: EXCEPT AS NOTED

| INCHES | HOLES |
|-------------|--------------|
| .X ± .10 | ØXX ± .10 |
| .XX ± .020 | ØXXX ± .015 |
| .XXX ± .015 | ØXXXX ± .010 |

APPROVALS

| | | |
|----------|----|---------|
| DRAWN | DY | 6/09/10 |
| CHECKED | | |
| APPROVED | | |

| | | |
|--------|----------------------|------|
| SIZE | PART NO. | REV. |
| X | HDMI-S-RA1-SMT-02-MF | B |
| REF: | S00073C | |
| SCALE: | NTS | |
| SHEET | 1 OF 1 | |

