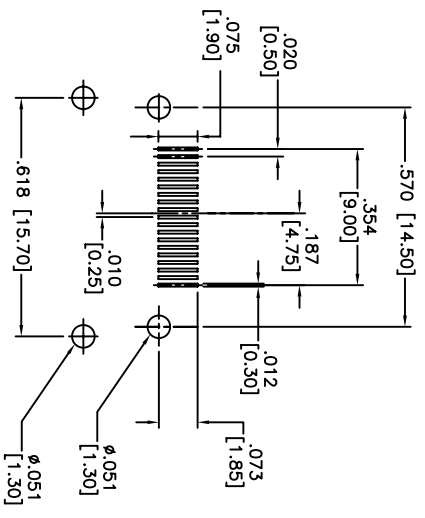
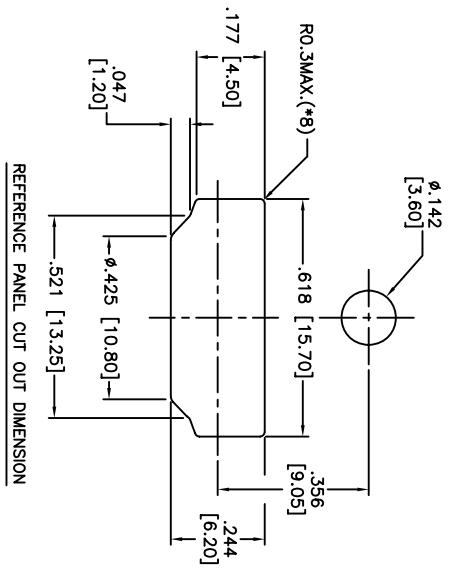
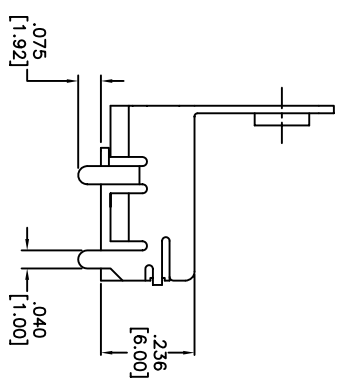
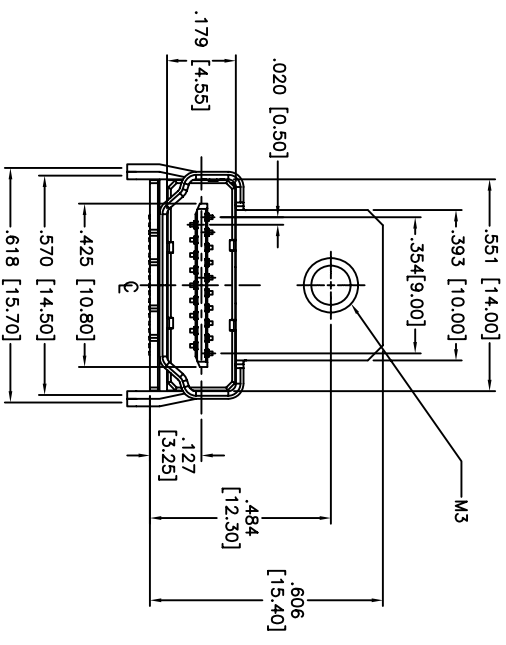
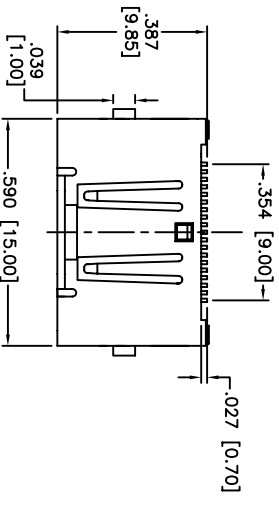


Rev	AWO #	Description	Date	Appr
-		RELEASED	11/08/06	

APPROVED: _____
 DATE: _____ TITLE: _____



RECOMMENDED PCB LAYOUT (THICKNESS=1.6±0.15mm)
 TOLERANCES: ±0.05mm

SPECIFICATIONS:

Material:
 Insulator: Hi Temp thermoplastic, glass reinforced,
 rated UL 94V-0
 Insulator color: Black
 Contacts: Copper Alloy
 Shell: Copper Alloy, Nickel plated
 Plating:
 Gold .0000030u over Nickel on Contact area,
 Tin .0000100u over Nickel on Terminal
Electrical:
 Operating voltage: 40 VAC max
 Current rating: 0.5 Amps max
 Contact resistance: 50 mOhms max
 Insulation resistance:
 Unrated: 100 mOhms min at 500 VDC
 Mated: 10 mOhms min at 150 VDC
 Dielectric withstanding voltage: 300 VAC for 1 minute

Mechanical:
 Insertion Force: 44.1N (max.)
 Extraction Force: 9.8N (min.); 39.2N (max.)
 Mating Cycle: 5000 Cycles
 Contact Pull Out Force: 2.94N/Pin (min)
 Temperature Rating:
 Operating temperature: -20°C to +85°C
 Environmental:
 Lead free, RoHS compliant.
 Recommended soldering temp: 260°C for 5 sec.



UNLESS OTHERWISE SPECIFIED ALL DIMENSIONS ARE INCHES [MM]	
TOLERANCES: EXCEPT AS NOTED	
INCHES	HOLES
.X ± .10	Ø.X ± .10
.XX ± .020	Ø.XXX ± .015
.XXX ± .015	Ø.XXX ± .010
APPROVALS	
DRAWN	BW
CHECKED	
APPROVED	
DATE: 11/08/06	

ADAM TECH
 909 Rahway Avenue, Union, NJ 07083
 Phone: 908-687-5000 Fax: 908-687-5710

TITLE	HDMI CONNECTOR, RIGHT ANGLE, SURFACE MOUNT, NO PEG, FLANGE
SIZE	PART NO.
X	HDMI-S-RA1-SMT-MF
REF:	SCALE: NTS SHEET 1 OF 1