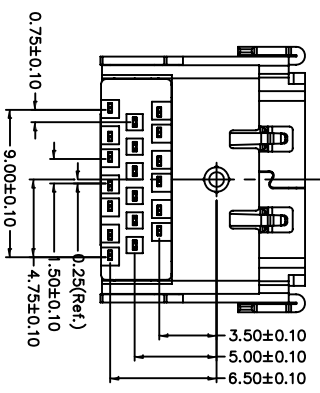
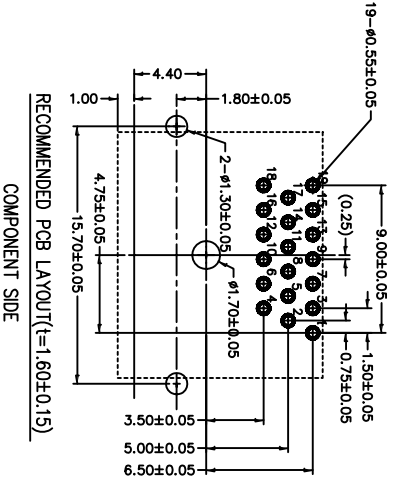
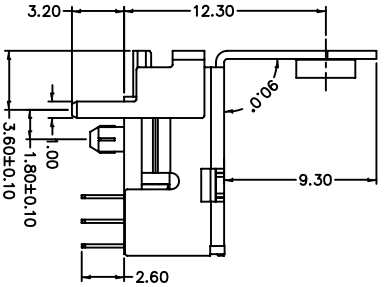
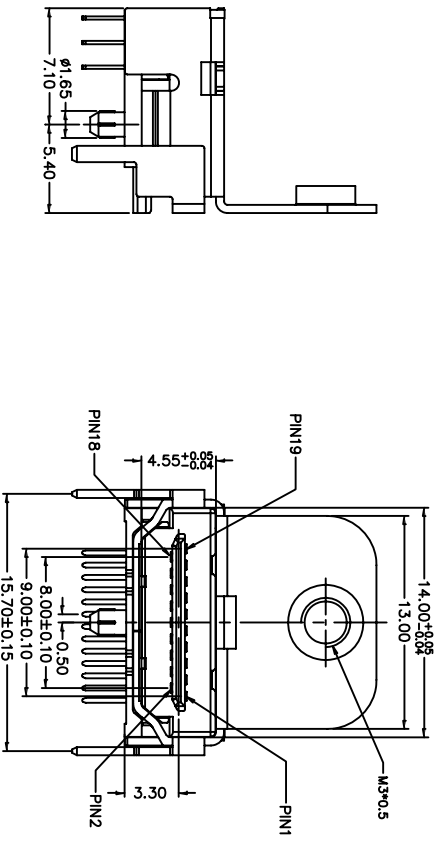
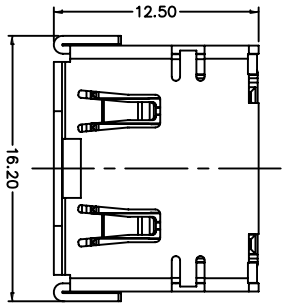


Rev	AWO #	Description	Date	Appr
-		RELEASED	6/10/10	

APPROVED: \_\_\_\_\_  
 DATE: \_\_\_\_\_ TITLE: \_\_\_\_\_



**SPECIFICATIONS:**

- Material:** Housing: Hi-temp thermoplastic, UL 94V-0
- Housing color:** Black
- Contact:** Phosphor Bronze
- Shield:** Brass
- Plating:** Gold flash over Nickel underplate on contact area, Tin over Copper underplate on tails.
- Electrical:** Voltage rating: 40V  
Current rating: 0.5A  
Dielectric strength: 500VAC for 1 minute min.  
Insulation resistance: 100 Megohm min.  
Contact resistance: 30 mohms max.
- Environmental:** Lead free, RoHS Compliant

UNLESS OTHERWISE SPECIFIED  
 ALL DIMENSIONS ARE MM  
 TOLERANCES: EXCEPT AS NOTED

INCHES	MM	HOLE	DATE
.X	± .10	ØXX	± .10
.XX	± .020	ØXXX	± .015
.XXX	± .015	ØXXXX	± .010

APPROVALS

APPROVALS	DATE	
DRAWN	DY	6/10/10
CHECKED		
APPROVED		

**ADAM TECH**

909 Railway Avenue, Union, NJ 07083  
 Phone: 908-687-5000 Fax: 908-687-5710

**TITLE**  
 HDMI CONNECTOR WITH MOUNTING FLANGE  
 RIGHT ANGLE, DIP TYPE, 3 ROWS

SIZE	PART NO.	REV.
X	HDMI-S-RA3-MF-01	-

REF: S0005C SCALE: NTS SHEET 1 OF 1