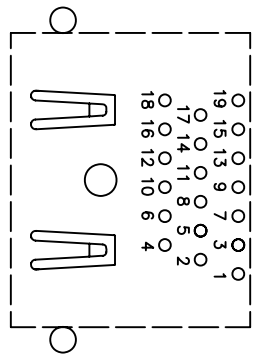
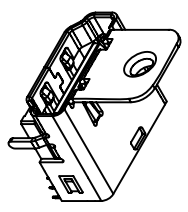
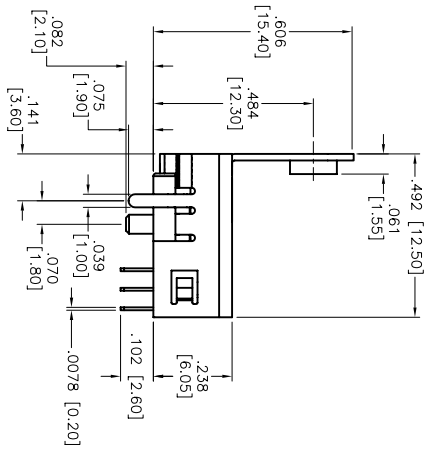
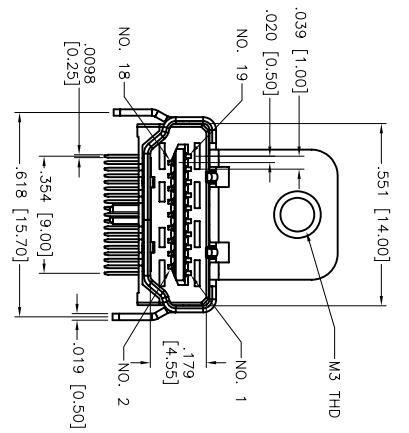
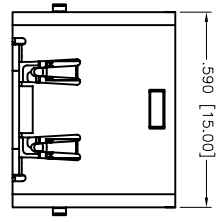


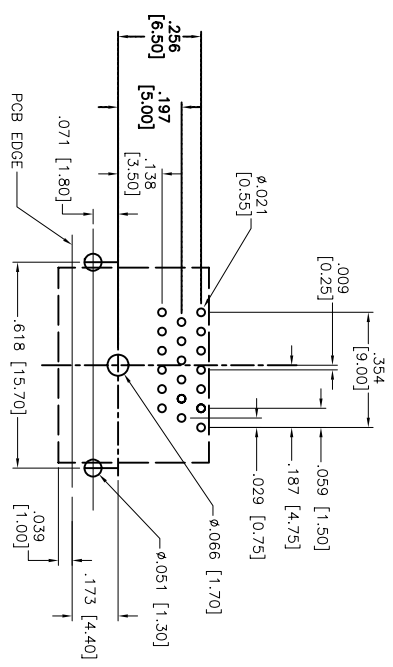
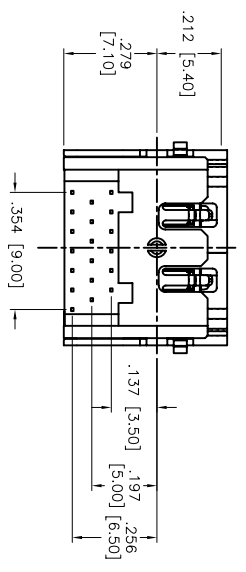
APPROVED: _____ TITLE: _____

DATE: _____

| Rev | AWO # | Description | Date | Appr |
|-----|-------|------------------|---------|------|
| - | 7276 | TOOLING RELEASED | 4/12/07 | |



PIN ASSIGNMENT



RECOMMENDED PCB LAYOUT (THICKNESS=1.6±0.15mm)
TOLERANCES: ±0.05mm

SPECIFICATIONS:

Material:
Insulator: LCP, 30% glass reinforced, rated UL 94V-0
Insulator color: Black
Contacts: Copper Alloy
Shell: Copper Alloy, Nickel plated
Plating:
Gold flash over Nickel overall.
Electrical:
Operating voltage: 40 VAC max
Current rating: 0.5 Amps max
Contact resistance: 10 mOhms max
Insulation resistance: 100 Mohms min
Dielectric withstanding voltage: 500 VAC for 1 minute
Temperature Rating:
Operating temperature: -20°C to +85°C
Environmental:
Lead free, RoHS compliant.
Recommended soldering temp: 260°C for 5 sec.



UNLESS OTHERWISE SPECIFIED
ALL DIMENSIONS ARE INCHES [MM]
TOLERANCES: EXCEPT AS NOTED

| | |
|-------------|-------------|
| INCHES | HOLES |
| X ± .10 | ØX ± .10 |
| XX ± .020 | ØXX ± .015 |
| .XXX ± .015 | ØXXX ± .010 |

APPROVALS

| DATE |
|---------|
| 4/12/07 |

DRAWN BW

CHECKED

APPROVED

ADAM TECH
909 Rahway Avenue, Union, NJ 07083
Phone: 908-687-5000 Fax: 908-687-5710

TITLE: HDMl CONNECTOR, RIGHT ANGLE, THRU HOLE WITH PEG, FLANGE

| SIZE | PART NO. | REV. |
|------------|------------------|------|
| X | HDMI-S-RA3-MF-TR | - |
| SCALE: NTS | SHEET 1 OF 2 | |