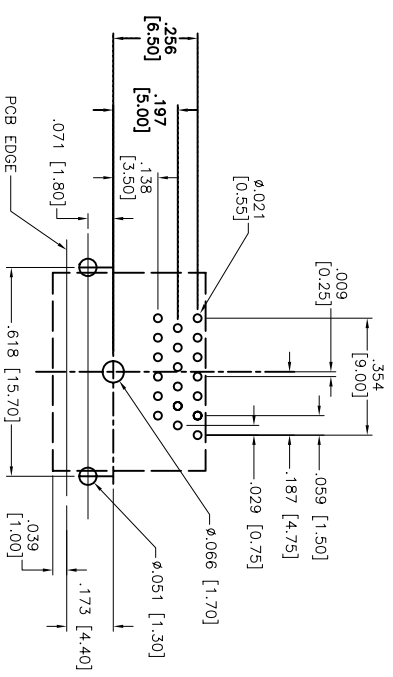
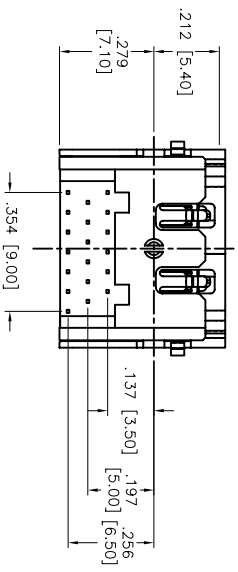
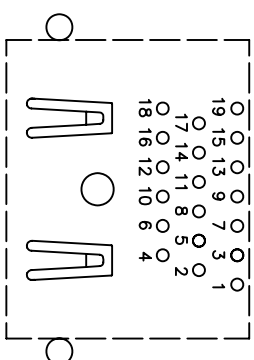
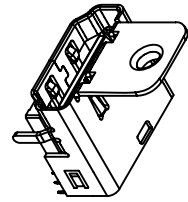
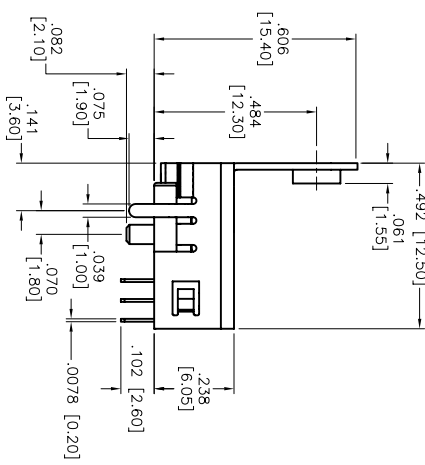
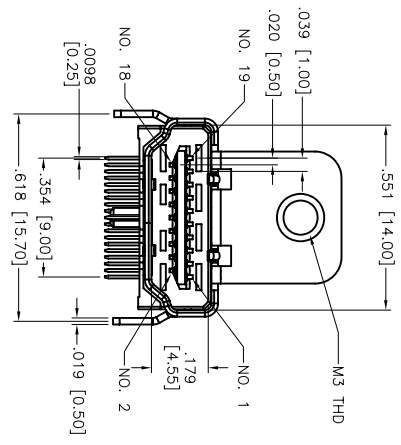
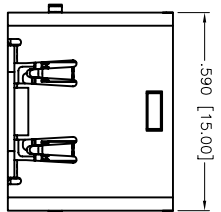


Rev	AWO #	Description	Date	Appr
-	7276	TOOLING RELEASED	4/12/07	

APPROVED: \_\_\_\_\_  
 DATE: \_\_\_\_\_ TITLE: \_\_\_\_\_



**SPECIFICATIONS:**

Material: Insulator: LCP, 30% glass reinforced, rated UL 94V-0  
 Insulator color: Black  
 Contacts: Copper Alloy  
 Shell: Copper Alloy, Nickel plated  
 Plating: Gold flash over Nickel overall.

**Electrical:**

Operating voltage: 40 VAC max  
 Current rating: 0.5 Amps max  
 Contact resistance: 10 mOhms max  
 Insulation resistance: 100 Mohms min  
 Dielectric withstanding voltage: 500 VAC for 1 minute  
 Temperature Rating: Operating temperature: -20°C to +85°C

Environmental: Lead free, RoHS compliant.  
 Recommended soldering temp: 260°C for 5 sec.



UNLESS OTHERWISE SPECIFIED  
 ALL DIMENSIONS ARE INCHES [MM]  
 TOLERANCES: EXCEPT AS NOTED

INCHES	Holes
.X ± .10	Ø.X ± .10
.XX ± .020	Ø.XX ± .015
.XXX ± .015	Ø.XXX ± .010

APPROVALS

DATE	DATE
4/12/07	

**ADAM TECH**  
 909 Railway Avenue, Union, NJ 07083  
 Phone: 908-687-5000 Fax: 908-687-5710

TITLE: HDMI CONNECTOR, RIGHT ANGLE, THRU HOLE WITH PEG, FLANGE

SIZE	PART NO.	REV.
X	HDMI-S-PA3-MF	-

DRAWN: BW DATE: 4/12/07  
 CHECKED: \_\_\_\_\_  
 APPROVED: \_\_\_\_\_

SCALE: NTS SHEET 1 OF 2