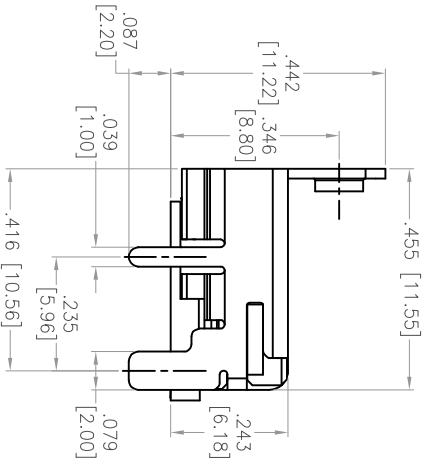
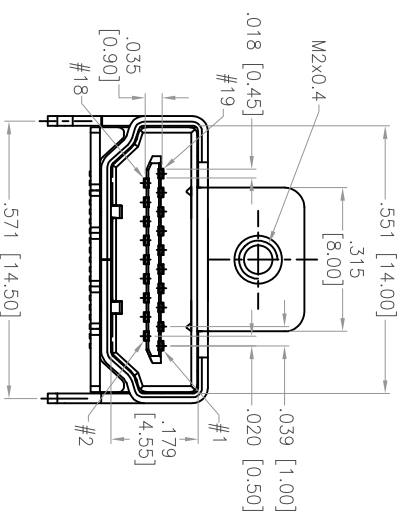
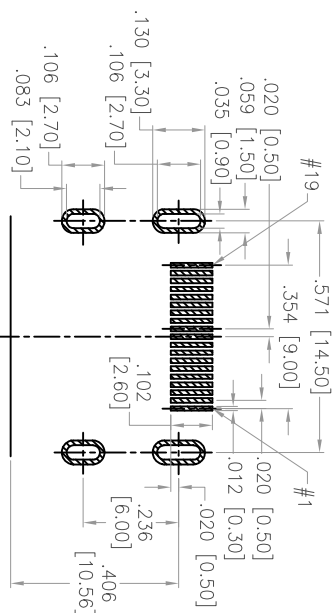
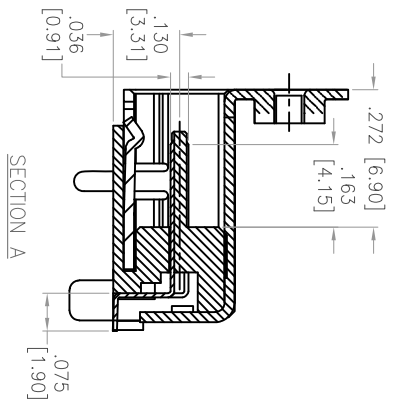
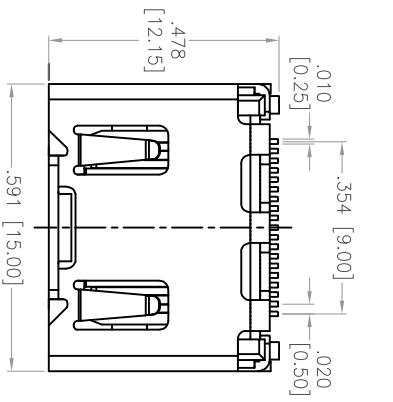


Rev	AWO #	Description	Date	Appr
-		RELEASED	11/20/13	

APPROVED: _____
 DATE: _____ TITLE: _____



SPECIFICATIONS:

Material: Insulator: Hi-Temp Thermoplastic, rated UL 94V-0, Halogen Free

Insulator color: Black

Contacts: Brass

Shield: Brass, Nickel plated

Plating: Gold over Nickel underplate on contact area, Tin over Copper underplate on Solder tails.

Electrical: Operating voltage: 40V AC/DC

Current rating: 0.5A DC Max.

Contact resistance: 30 mohms max

Insulation resistance: 100 Mohms min @ 500 VDC

Dielectric withstanding voltage: 500 VAC for 1 minute

Mechanical:

Temperature Rating:

Operating temperature: -25°C to +85°C

Environmental:

Lead free, RoHS compliant.

Hydrogen Free

ADAM TECH

909 Ratway Avenue, Union, NJ 07083
 Phone: 908-687-5000 Fax: 908-687-5710

HDMI CONNECTOR, RIGHT ANGLE,
 SURFACE MOUNT, NO PEG, FLANGE

UNLESS OTHERWISE SPECIFIED ALL DIMENSIONS ARE INCHES [MM]	
TOLERANCES: EXCEPT AS NOTED	
INCHES	HOLES
.X ± .10	Ø.X ± .10
.XX ± .020	Ø.XX ± .015
.XXX ± .015	Ø.XXX ± .010
APPROVALS	
DRAWN	TW
CHECKED	
APPROVED	
DATE: 11/20/13	

REF: S00097C	SCALE: NTS	SHEET 1 OF 1
SIZE: X	PART NO: HDMI-S-RA4-SMT-MF-HF	REV: -

