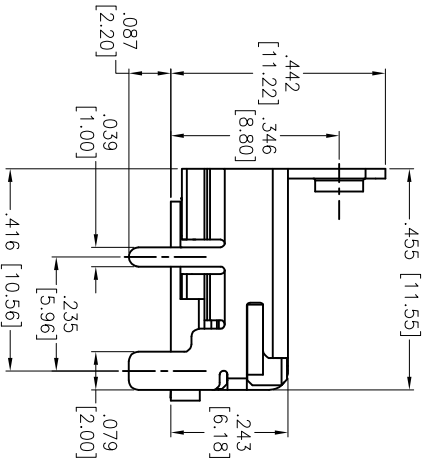
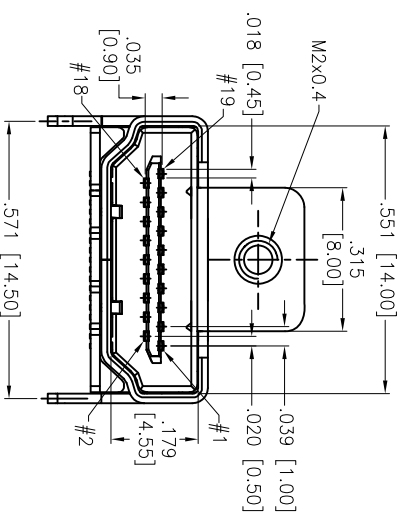
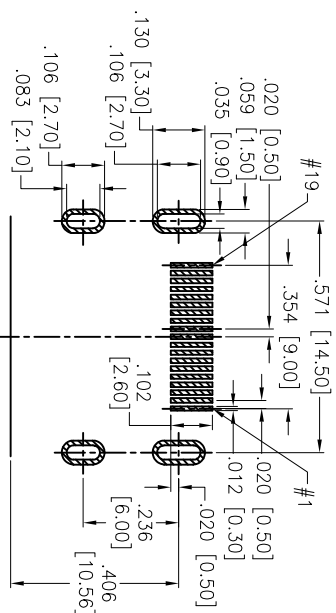
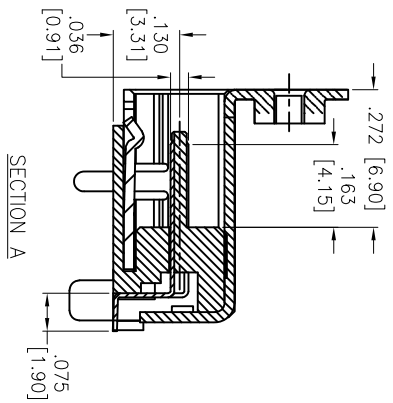
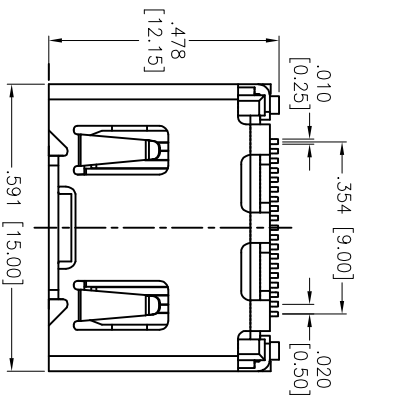


Rev	AWO #	Description	Date	Appr
-		RELEASED	11/20/13	

APPROVED: \_\_\_\_\_  
 DATE: \_\_\_\_\_ TITLE: \_\_\_\_\_



SPECIFICATIONS:

- Material: Insulator: Hi-Temp Thermoplastic, rated UL 94V-0
- Insulator color: Black
- Contacts: Brass
- Shield: Brass, Nickel plated
- Plating: Gold over Nickel underplate on contact area, Tin over Copper underplate on Solder tails.
- Electrical:
  - Operating voltage: 40V AC/DC
  - Current rating: 0.5A DC Max.
  - Contact resistance: 30 Mohms max
  - Insulation resistance: 100 Mohms min @ 500 VDC
  - Dielectric withstanding voltage: 500 VAC for 1 minute
- Mechanical:
  - Temperature Rating: Operating temperature: -25°C to +85°C
  - Environmental: Lead free, RoHS compliant.

UNLESS OTHERWISE SPECIFIED	
ALL DIMENSIONS ARE INCHES [MM]	
TOLERANCES: EXCEPT AS NOTED	
INCHES	HOLES
.X ± .10	Ø.X ± .10
.XX ± .020	Ø.XXX ± .015
.XXX ± .015	Ø.XXXX ± .010
APPROVALS	DATE
DRAWN	TW
CHECKED	
APPROVED	

**ADAM TECH**  
 909 Ratway Avenue, Union, NJ 07083  
 Phone: 908-687-5000 Fax: 908-687-5710

TITLE: HDMI CONNECTOR, RIGHT ANGLE, SURFACE MOUNT, NO PEG, FLANGE

SIZE	PART NO.	REV.
X	HDMI-S-RA4-SMT-MF	
REF:	S00097C	SCALE: NTS
		SHEET 1 OF 1

