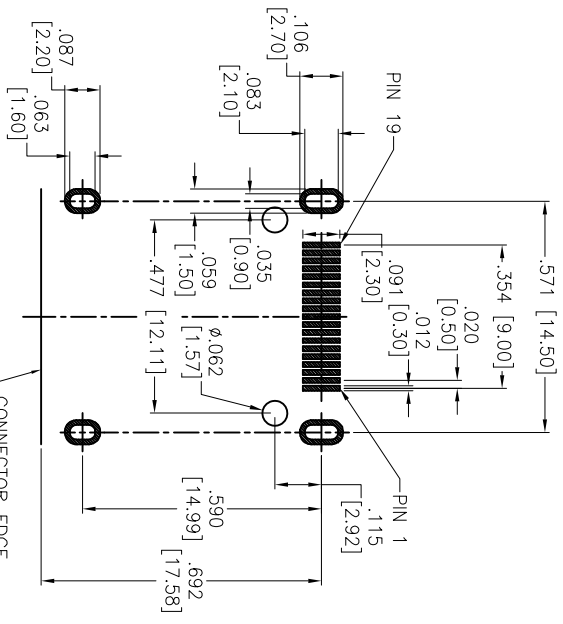
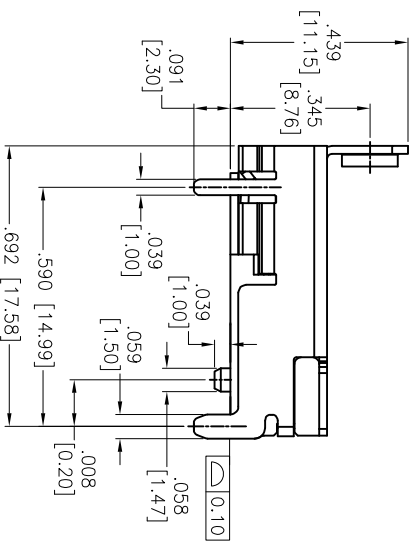
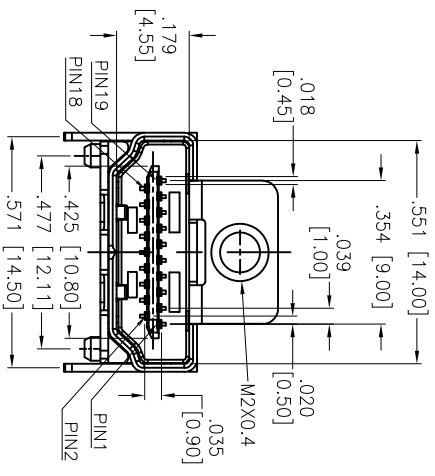
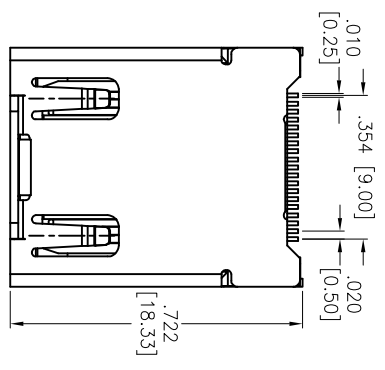


Rev	AWO #	Description	Date	Appr
-		PRELIMINARY	11/27/13	

APPROVED: \_\_\_\_\_  
 DATE: \_\_\_\_\_ TITLE: \_\_\_\_\_



RECOMMENDED PCB LAYOUT

CONNECTOR EDGE

**SPECIFICATIONS:**

- Material: Insulator: Hi-Temp Thermoplastic, rated UL 94V-0
- Insulator color: Black
- Contacts: Brass
- Shield: Brass, Nickel Plated
- Plating: Gold over Nickel underplate on contact area, Tin over Copper underplate on solder tails.
- Electrical: Operating voltage: 40V AC/DC  
Current rating: 0.5A DC Max.  
Contact resistance: 30 mohms max  
Insulation resistance: 100 Mohms min @ 500 VDC  
Dielectric withstanding voltage: 500 VAC for 1 minute
- Mechanical: Temperature Rating: Operating temperature: -25°C to +85°C  
Environmental: Lead free, RoHS compliant.

PACKAGED ON TAPE & REEL

UNLESS OTHERWISE SPECIFIED ALL DIMENSIONS ARE INCHES [MM]	
TOLERANCES: EXCEPT AS NOTED	
INCHES	HOLDS
.X ± .10	± .10
.XX ± .020	± .015
.XXX ± .015	± .010
APPROVALS	DATE
DRAWN	HR
CHECKED	TW
APPROVED	

**ADAM TECH**  
 909 Railway Avenue, Union, NJ 07083  
 Phone: 908-687-5000 Fax: 908-687-5710

TITLE: **HDMI CONNECTOR, RIGHT ANGLE, SURFACE MOUNT, W/ FLANGE**

SIZE	PART NO.	REV.
X	HDMI-S-RA5-SMT-MF-T/R	-
REF:	SCALE: NTS	SHEET 1 OF 1

