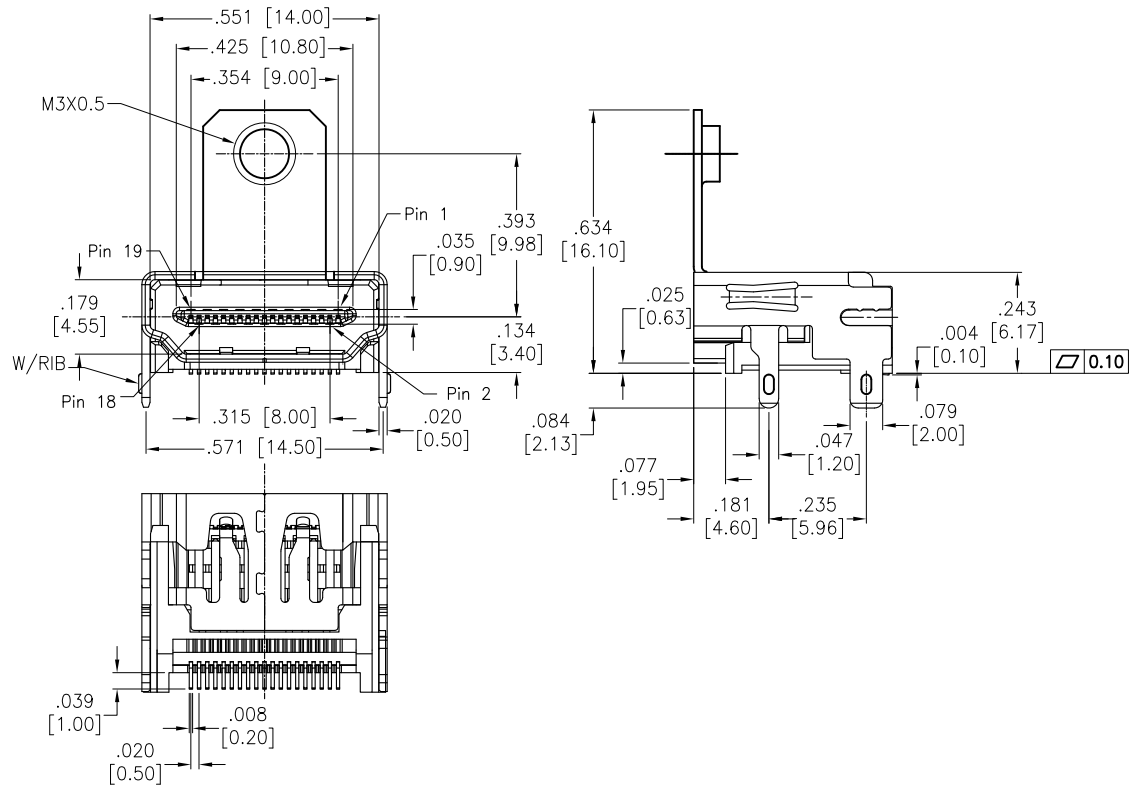
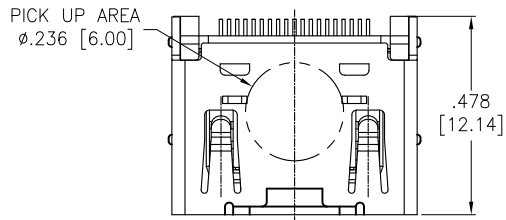
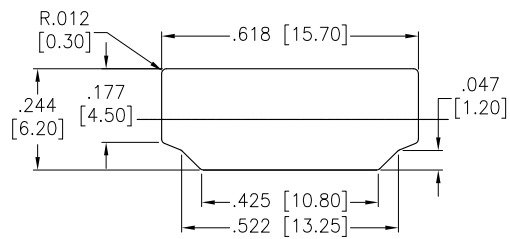
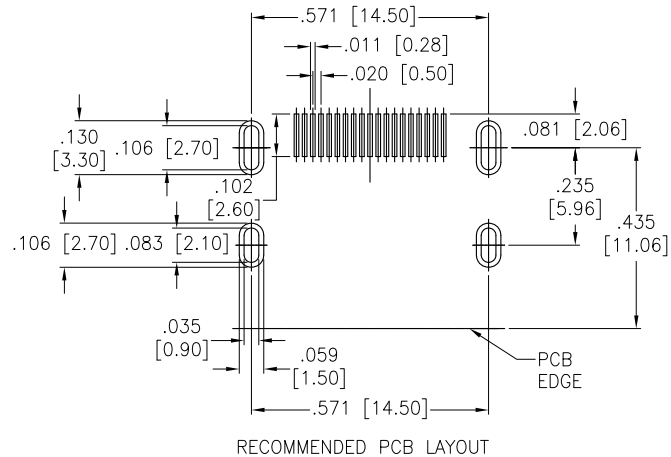


APPROVED: \_\_\_\_\_  
 DATE: \_\_\_\_\_ TITLE: \_\_\_\_\_

Rev	AWO #	Description	Date	Appr
-		RELEASED	3/16/15	



**SPECIFICATIONS:**

Material:  
 Insulator: Hi-Temp Thermoplastic, rated UL 94V-0  
 Insulator color: Black  
 Contacts: Copper Alloy  
 Shell: SPCC, Nickel plated  
 Plating:  
 Gold flash over Nickel underplate on contact area,  
 Tin over Nickel underplate on Solder tails.

Electrical:  
 Operating Current: 0.5A Max.  
 Contact resistance: 10 mohms max.  
 Insulation resistance: 100Mohm MIN.(UNMATED)  
 10Mohm MIN.(MATED).

Dielectric withstanding voltage: 500Volts AC Between Adjacent Terminal(UNMATE)  
 300Volts AC AC Between Adjacent Terminal(MATE)

Temperature Rating:  
 Operating temperature: -25°C to +85°C  
 Environmental:  
 Lead free, RoHS compliant.



UNLESS OTHERWISE SPECIFIED  
 ALL DIMENSIONS ARE INCHES [MM]  
 TOLERANCES: EXCEPT AS NOTED

INCHES	HOLES
.X ± .10	ØX ± .10
.XX ± .020	ØXX ± .015
.XXX ± .015	ØXXX ± .010

APPROVALS		DATE
DRAWN	AY	3/16/15
CHECKED	GC	3/16/15
APPROVED		

**ADAM TECH**

909 Rahway Avenue, Union, NJ 07083  
 Phone: 908-687-5000 Fax: 908-687-5710

TITLE		
HDMI CONNECTOR, RIGHT ANGLE, SURFACE MOUNT, W / FLANGE, W / RIB		
SIZE	PART NO.	REV.
X	HDMI-S-RA6A-SMT-MF-SPCC	-
REF:	S00097C	SCALE: NTS
		SHEET 1 OF 1