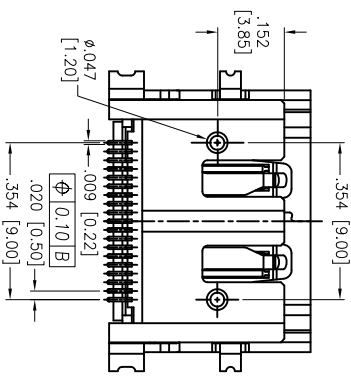
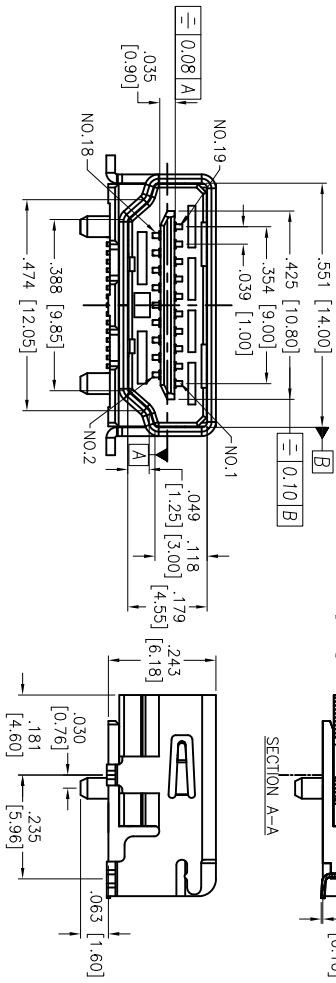
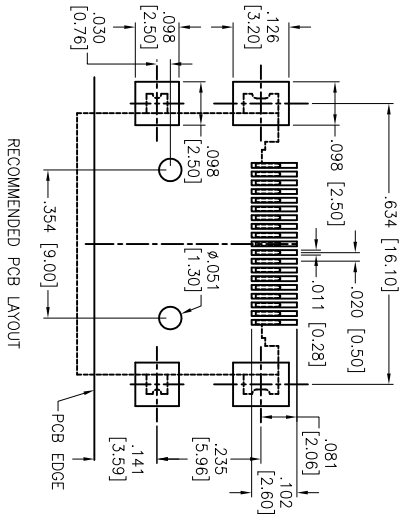
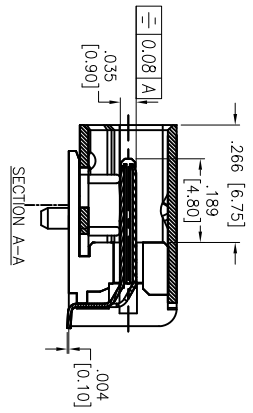
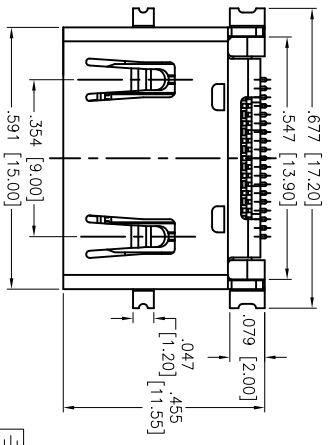


Rev	AWO #	Description	Date	Appr
-		RELEASED	4/16/15	

APPROVED: _____ TITLE: _____ DATE: _____



PACKAGED ON TAPE & REEL

SPECIFICATIONS:
Material: Hi-temp thermoplastic, UL 94V-0
Housing: Black
Contact: Copper Alloy
Shield: Brass & SPC, Nickel plated
Plating: Gold over Nickel underplate on Contact area, Matte Tin over Nickel underplate on Solder tails.
Electrical:
 Voltage rating: 40 V
 Current rating: 0.5 A
 Contact resistance: 30 mohms max.
 Insulation resistance: 100 Megohm min.
 Temperature Rating: Operating temperature: -20°C to +85°C
Environmental: Lead free, RoHS Compliant



ADAM TECH

909 Rahway Avenue, Union, NJ 07083
 Phone: 908-687-5000 Fax: 908-687-5710

TITLE: **HDMI CONNECTOR, RIGHT ANGLE, SMT TYPE, W/ POST, SEL-GOLD PLATED**

UNLESS OTHERWISE SPECIFIED ALL DIMENSIONS ARE INCHES [MM]		TOLERANCES: EXCEPT AS NOTED	
.X	± .10	ØX	± .10
.XX	± .020	ØXXX	± .015
.XXX	± .015	ØXXXX	± .010
APPROVALS		DATE	
DRAWN	HR	4/16/15	
CHECKED	NP	4/16/15	
APPROVED			
SIZE	PART NO.	HDMI-S-RA6A-TSMT	REV.
X			
REF:	SCALE:	NIS	SHEET 1 OF 1