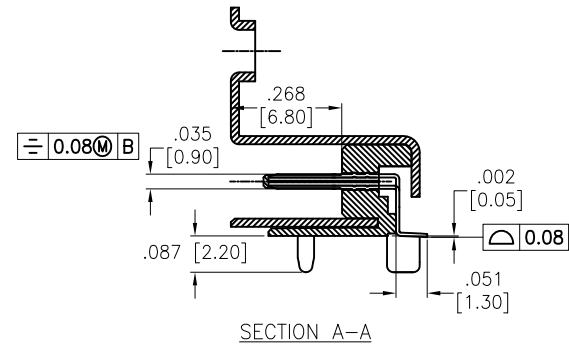
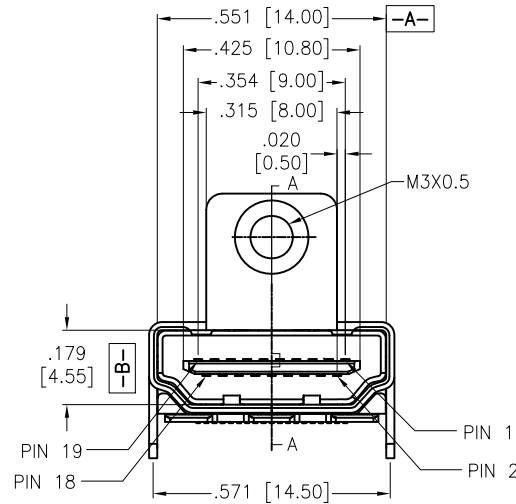
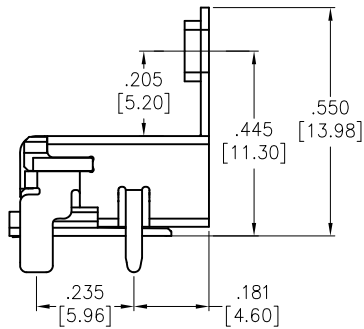
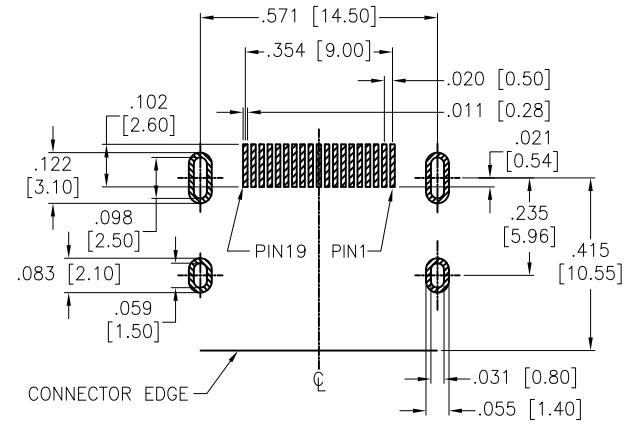
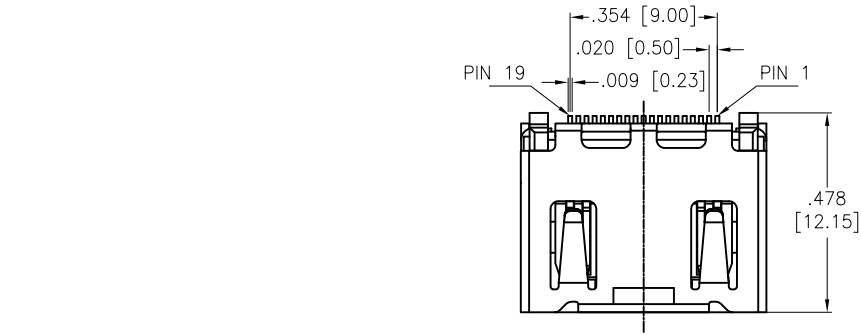


APPROVED: _____
 DATE: _____ TITLE: _____

Rev	AWO #	Description	Date	Appr
-		RELEASED	9/23/15	



SPECIFICATIONS:

Material:
 Insulator: Hi-Temp Thermoplastic, rated UL 94V-0
 Insulator color: Black
 Contacts: Brass
 Shell: Brass, Nickel plated
 Plating:
 Gold flash over Nickel underplate on contact area,
 Tin over Nickel underplate on Solder tails.
 Electrical:
 Contact resistance: 30 mohms max.
 Insulation resistance: 100 Mohm min. (UNMATED)
 10 Mohm min. (MATED).
 Dielectric withstanding voltage: 500 VAC min.
 Temperature Rating:
 Operating temperature: -40°C to +85°C
 Environmental:
 Lead free, RoHS compliant.



UNLESS OTHERWISE SPECIFIED ALL DIMENSIONS ARE INCHES [MM] TOLERANCES: EXCEPT AS NOTED		
INCHES HOLES		
.X ± .10	Ø.X ± .10	
.XX ± .020	Ø.XX ± .015	
.XXX ± .015	Ø.XXX ± .010	
APPROVALS		DATE
DRAWN	HR	9/23/15
CHECKED	MW	9/23/15
APPROVED		

ADAM TECH

909 Rahway Avenue, Union, NJ 07083
 Phone: 908-687-5000 Fax: 908-687-5710

TITLE HDMI CONNECTOR, RIGHT ANGLE, SURFACE MOUNT, W / FLANGE			
SIZE X	PART NO. HDMI-S-RA6B-SMT-MF	REV. -	
REF: S00097C	SCALE: NTS	SHEET 1 OF 1	