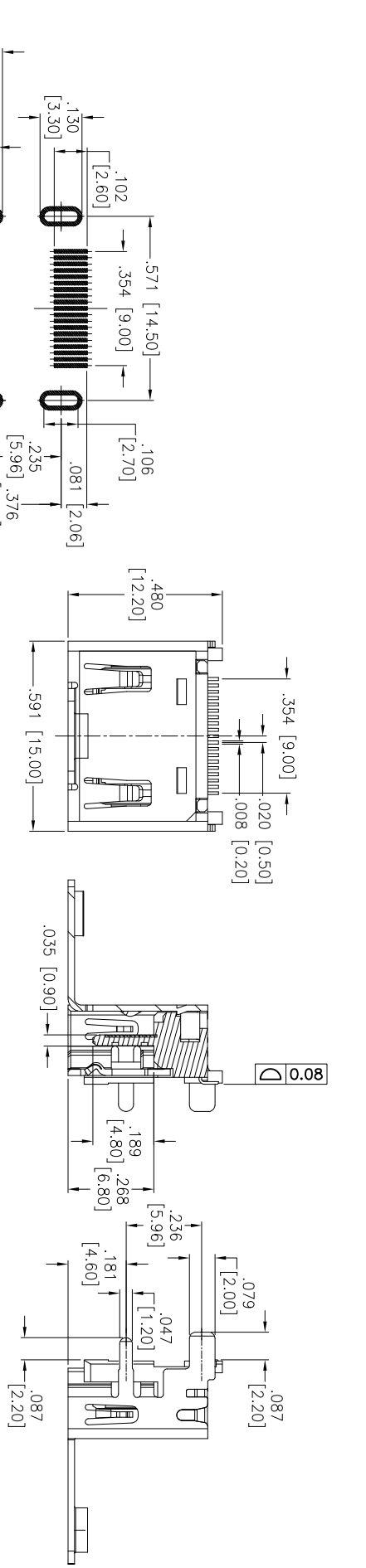
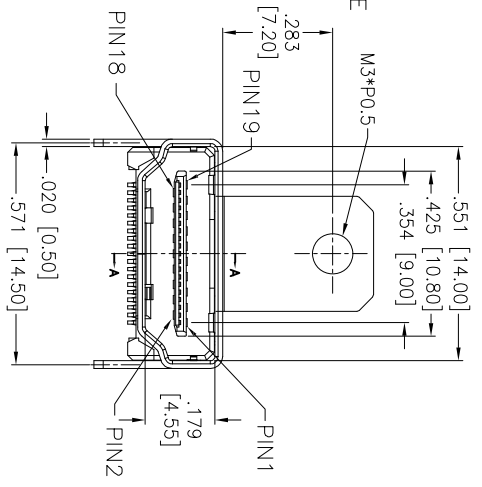
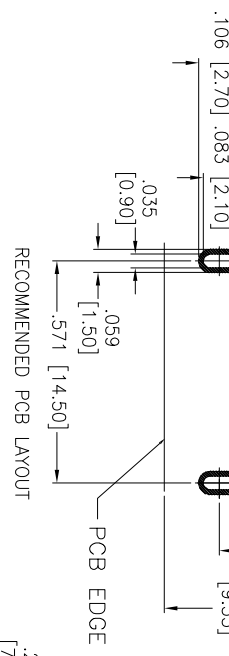


Rev	AWO #	Description	Date	Appr
-		RELEASED	4/9/14	

APPROVED: _____
 DATE: _____ TITLE: _____



SECTION A-A
 SCALE 1:1



PACKAGED ON TAPE & REEL

SPECIFICATIONS:
 Material: Insulator: Hi-Temp Thermoplastic, rated UL 94V-0
 Insulator color: Black
 Contacts: Copper Alloy
 Shell: SPCC, Nickel plated
 Plating: Gold flash over Nickel underplate on contact area, Tin over Nickel underplate on solder tails.
 Electrical: Voltage rating: 40V AC/DC Max.
 Current rating: 0.5A AC/DC Max.
 Contact resistance: 10 mohms max.
 Insulation resistance: 100 Mohms min.
 Dielectric withstanding voltage: 500 VAC for 1 minute
 Operating temperature: -25°C to +85°C
 Environmental: Lead free, RoHS compliant.

UNLESS OTHERWISE SPECIFIED ALL DIMENSIONS ARE INCHES [MM]	
TOLERANCES: EXCEPT AS NOTED	
INCHES	HOLES
.X ± .10	ØXX ± .10
.XX ± .020	ØXXX ± .015
.XXX ± .015	ØXXXX ± .010
APPROVALS	DATE
DRAWN AY	4/30/14
CHECKED NP	4/30/14
APPROVED	

ADAM TECH
 909 Rahway Avenue, Union, NJ 07083
 Phone: 908-687-5000 Fax: 908-687-5710

TITLE: HDMI CONNECTOR, RIGHT ANGLE, SURFACE MOUNT, W/FLANGE, W/O RIB

SIZE	PART NO.	REV.
X	HDMI-S-RA7-SMT-LMF-SPCC	-
REF: S00/67T	SCALE: NTS	SHEET 1 OF 1

