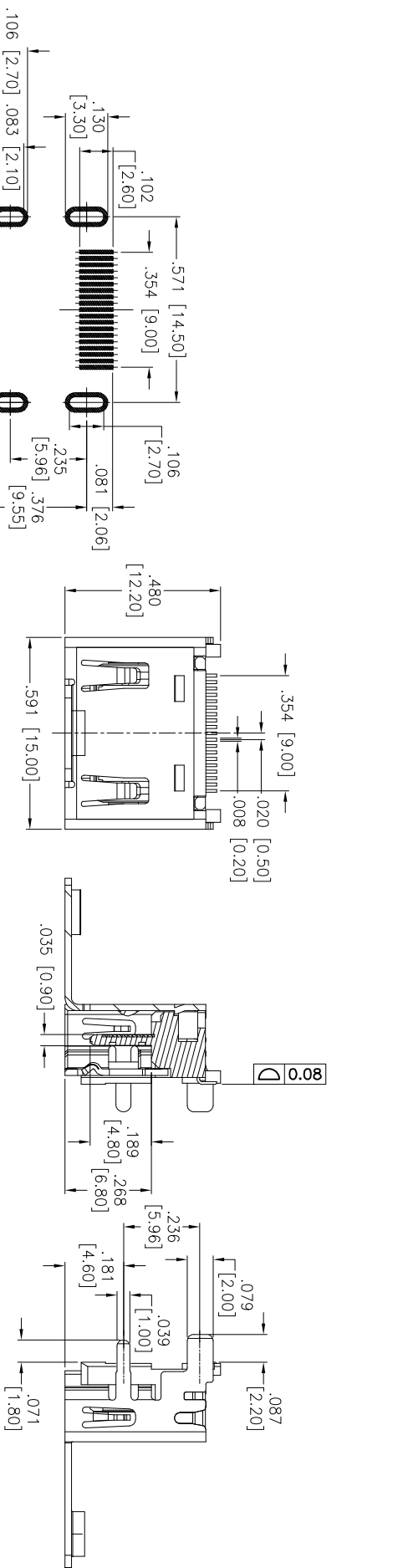
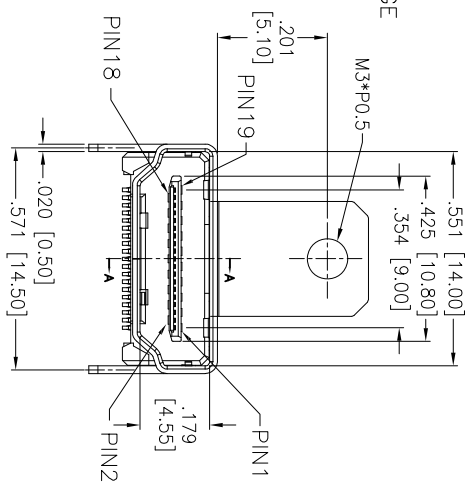


Rev	AWO #	Description	Date	Appr
-		RELEASED	4/9/14	

APPROVED: _____
 DATE: _____ TITLE: _____



SECTION A-A
 SCALE 1:1



RECOMMENDED PCB LAYOUT

PCB EDGE

SPECIFICATIONS:

- Material: Insulator: Hi-Temp Thermoplastic, rated UL 94V-0
- Insulator color: Black
- Contacts: Copper Alloy
- Shell: SPCC, Nickel plated

Plating: Gold flash over Nickel underplate on contact area, Tin over Nickel underplate on solder tails.

Electrical:

- Voltage rating: 40V AC/DC Max.
- Current rating: 0.5A AC/DC Max.
- Contact resistance: 10 mohms max.
- Insulation resistance: 100 Mohms min.
- Dielectric withstanding voltage: 500 VAC for 1 minute
- Temperature Rating: Operating temperature: -25°C to +85°C
- Environmental: Lead free, RoHS compliant.

PACKAGED ON TAPE & REEL

UNLESS OTHERWISE SPECIFIED
 ALL DIMENSIONS ARE INCHES [MM]
 TOLERANCES: EXCEPT AS NOTED
 INCHES Holes ±.10
 .XX ±.020
 .XXX ±.015
 APPROVALS

ADAM TECH
 909 Rahway Avenue, Union, NJ 07083
 Phone: 908-687-5000 Fax: 908-687-5710

APPROVALS	DATE	TITLE	SIZE	PART NO.	REV.
DRAWN AY	4/30/14	HDMI CONNECTOR, RIGHT ANGLE, SURFACE MOUNT, W/ FLANGE, W/O RIB	X	HDMI-S-RA7-SMT-SMF-SPCC	-
CHECKED NP	4/30/14				
APPROVED					

