

Rev	AWO #	Description	Date	Appr
-		RELEASED	4/30/14	

6

5

4

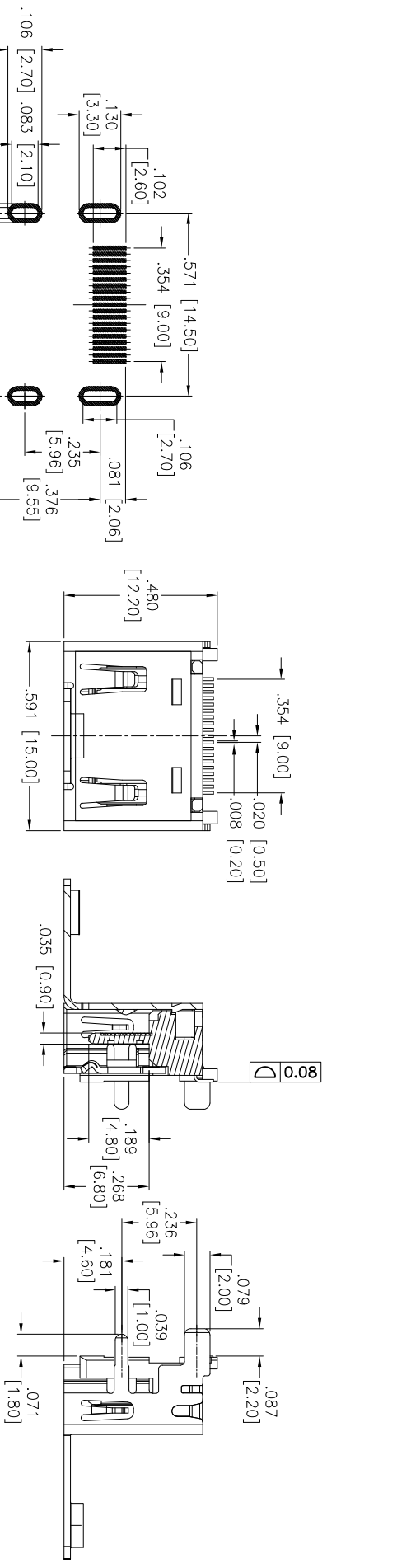
3

2

1

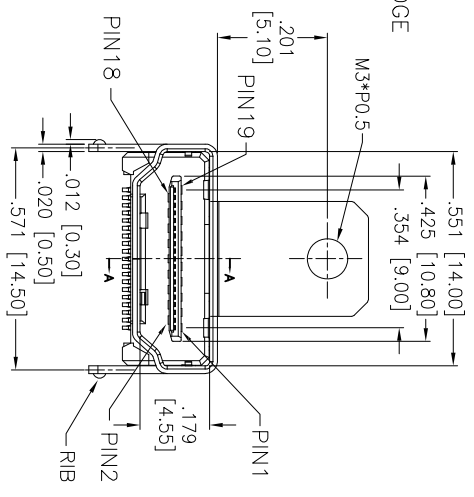
APPROVED: \_\_\_\_\_

DATE: \_\_\_\_\_ TITLE: \_\_\_\_\_



SECTION A-A  
SCALE 1:1

RECOMMENDED PCB LAYOUT



**SPECIFICATIONS:**

- Material: Insulator: Hi-Temp Thermoplastic, rated UL 94V-0
- Insulator color: Black
- Contacts: Copper Alloy
- Shell: Copper Alloy, Nickel plated
- Plating: Gold flash over Nickel underplate on contact area, Tin over Nickel underplate on solder tails.
- Electrical: Voltage rating: 40V AC/DC Max. Current rating: 0.5A AC/DC Max. Contact resistance: 10 mohms max. Insulation resistance: 100 Mohms min. Dielectric withstanding voltage: 500 VAC for 1 minute
- Temperature Rating: Operating temperature: -25°C to +85°C
- Environmental: Lead free, RoHS compliant.

**ADAM TECH**

909 Rahway Avenue, Union, NJ 07083  
Phone: 908-687-5000 Fax: 908-687-5710

HDMI CONNECTOR, RIGHT ANGLE,  
SURFACE MOUNT, W/FLANGE, W/RIB

UNLESS OTHERWISE SPECIFIED ALL DIMENSIONS ARE INCHES [MM] TOLERANCES EXCEPT AS NOTED INCHES		HOLE SIZES		DATE	
.X	± .10	ØX	± .10		
.XX	± .020	ØXXX	± .015		
.XXX	± .015	ØXXX	± .010		
APPROVALS					
DRAWN	AY	4/30/14			
CHECKED	NP	4/30/14			
APPROVED					
TITLE		SIZE	PART NO.	REV.	
HDMI CONNECTOR, RIGHT ANGLE, SURFACE MOUNT, W/FLANGE, W/RIB		X	HDMI-S-RA7-SMT-SMF		
REF:	S00/67T	SCALE:	NIS	SHEET	1 OF 1

A

B

C

D

A

B

C

D

6

5

4

3

2

1

