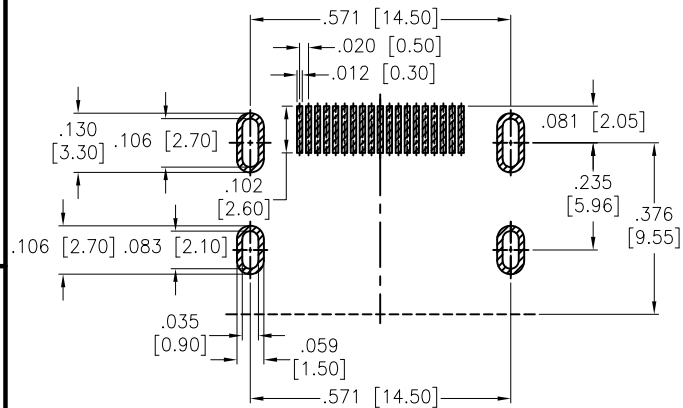
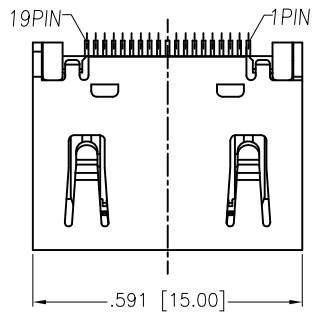
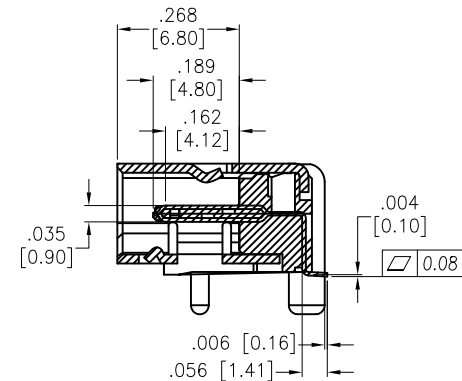
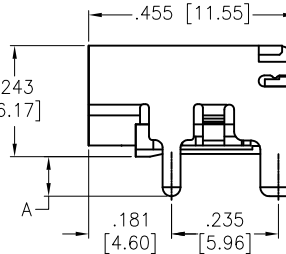
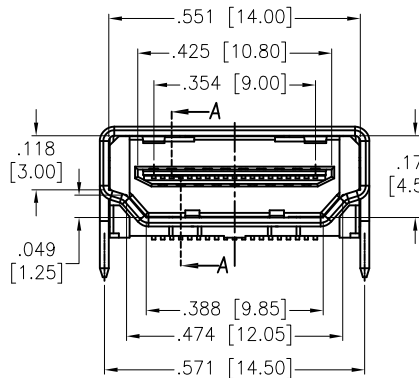


APPROVED: _____
 DATE: _____ TITLE: _____

Rev	AWO #	Description	Date	Appr
-		RELEASED	8/19/16	



RECOMMENDED P.C.B LAYOUT



PACKAGED ON TAPE & REEL

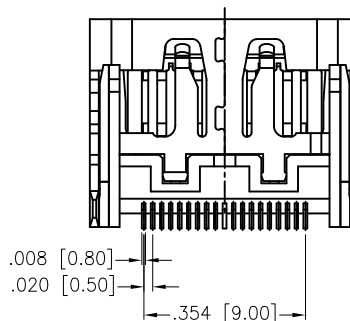
ADAM P/N	DIM. A
HDMI-S-RA9A-SMT-NR-T/R	.043 [1.10]
HDMI-S-RA9B-SMT-NR-T/R	.059 [1.50]
HDMI-S-RA9C-SMT-NR-T/R	.087 [2.20]
HDMI-S-RA9D-SMT-NR-T/R	.106 [2.70]

SPECIFICATIONS:

Material:
 Insulator: Hi-Temp Thermoplastic, rated UL 94V-0
 Insulator color: Black
 Contacts: Phosphor Bronze
 Shell: Bronze & SPCC

Plating:
 Gold flash over Nickel underplate on contact area,
 Tin over Nickel underplate on Solder tails.

Electrical:
 Voltage rating: 40 V
 Current rating: 0.5 A
 Contact resistance: 30 mohms max.
 Insulation resistance: 100 Mohm min.
 Temperature Rating:
 Operating temperature: -20°C to +85°C
 Environmental:
 Lead free, RoHS compliant



UNLESS OTHERWISE SPECIFIED
 ALL DIMENSIONS ARE INCHES [MM]
 TOLERANCES: EXCEPT AS NOTED

.X	± .10	∅X	± .10
.XX	± .020	∅XX	± .015
.XXX	± .015	∅XXX	± .010

APPROVALS		DATE
DRAWN	AY	8/19/16
CHECKED	NP	8/19/16
APPROVED		

ADAM TECH
 909 Rahway Avenue, Union, NJ 07083
 Phone: 908-687-5000 Fax: 908-687-5710

TITLE: HDMI CONNECTOR, RIGHT ANGLE,
 SURFACE MOUNT, NO RIB

SIZE	PART NO.	REV.
X	HDMI-S-RA9X-SMT-NR-T/R	-

REF: S00075C SCALE: NTS SHEET 1 OF 1