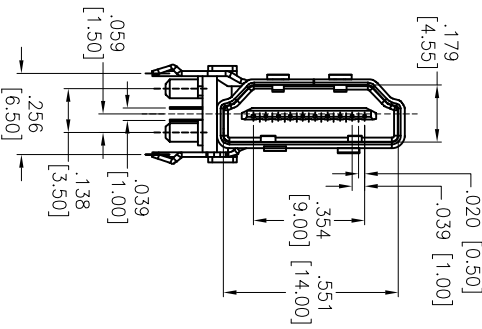
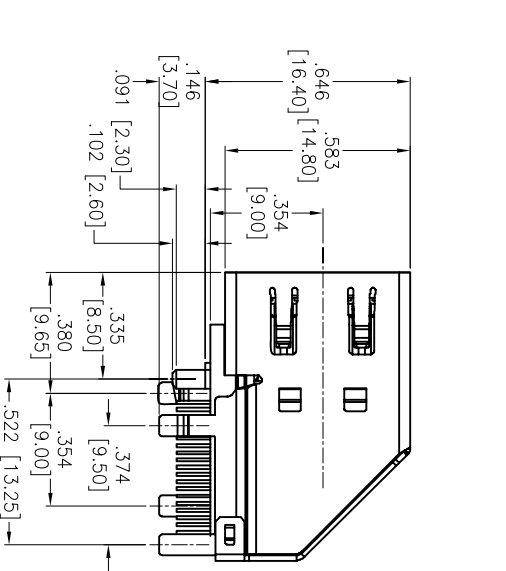
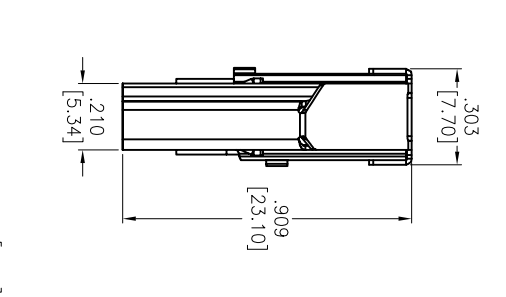
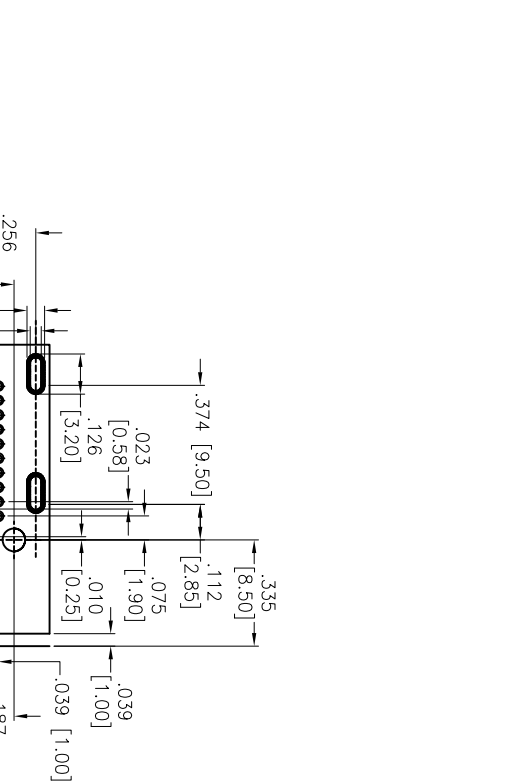


Rev	AWO #	Description	Date	Appr
-		RELEASED	7/6/15	

APPROVED: \_\_\_\_\_  
 DATE: \_\_\_\_\_ TITLE: \_\_\_\_\_



RECOMMENDED PCB LAYOUT

**SPECIFICATIONS:**

- Material: Housing: Hi-temp thermoplastic, UL 94V-0
- Housing color: Black
- Contact: Copper Alloy
- Shield: Brass
- Plating: 3u" Gold over Nickel underplate on contact area
- Electrical: Voltage rating: 40V
- Current rating: 0.5A
- Contact resistance: 30 mohms max.
- Insulation resistance: 100 Megohm min.
- Temperature Rating: Operating temperature: -20°C to +85°C
- Environmental: Lead free, RoHS Compliant

UNLESS OTHERWISE SPECIFIED  
 ALL DIMENSIONS ARE INCHES [MM]  
 TOLERANCES: EXCEPT AS NOTED

.X	± .10	ØX	± .10
.XX	± .020	ØXXX	± .015
.XXX	± .015	ØXXXX	± .010

INCHES  
 HOLES  
 APPROVALS

**ADAM TECH**  
 909 Rahway Avenue, Union, NJ 07083  
 Phone: 908-687-5000 Fax: 908-687-5710

**HDMI CONNECTOR, RIGHT ANGLE**  
**3u" GOLD PLTED**

TITLE: \_\_\_\_\_  
 SIZE: \_\_\_\_\_ PART NO.: \_\_\_\_\_  
 REF: S00073C SCALE: NTS SHEET 1 OF 1

DRAWN	AY	7/6/15
CHECKED	LW	7/6/15
APPROVED		

REV.	-
------	---

