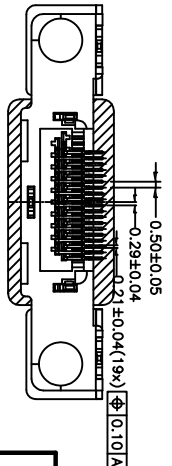
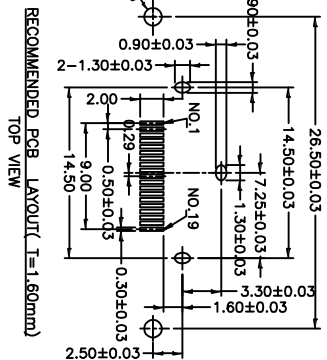
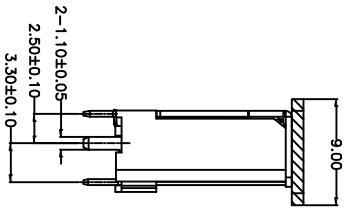
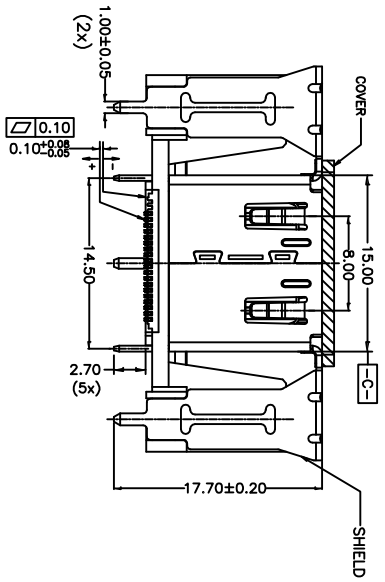
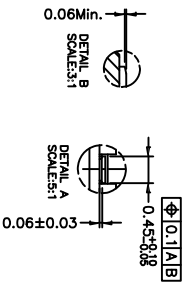
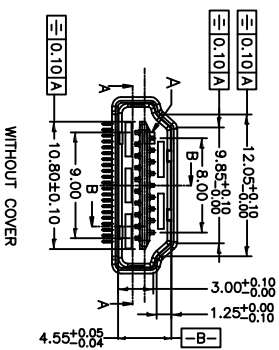
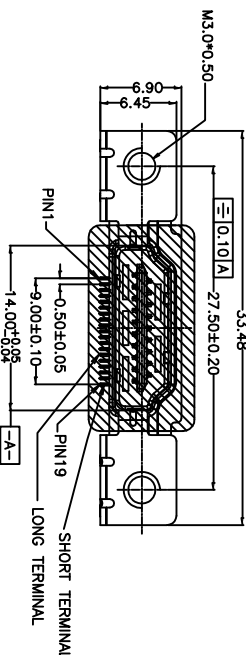
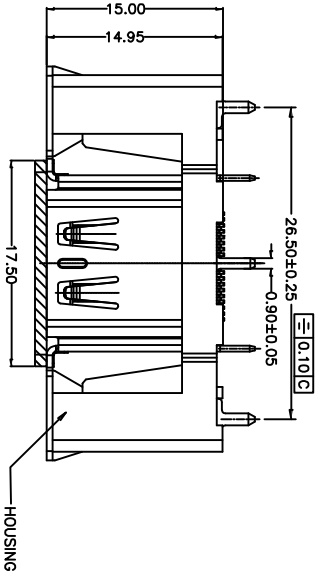
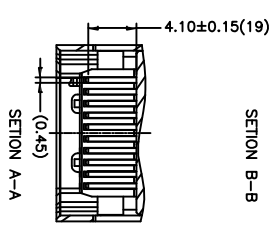
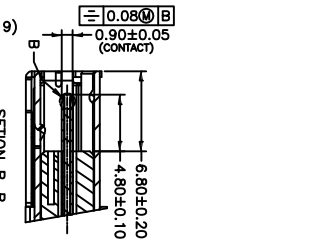


Rev	AWO #	Description	Date	Appr
-		RELEASED	6/07/10	

APPROVED: _____ TITLE: _____

DATE: _____



SPECIFICATIONS:
 Material: _____
 Housing: Hi-temp thermoplastic, UL 94V-0
 Housing color: Black
 Contact: Copper Alloy
 Shield: Copper Alloy, Nickel plated
 Plating: _____
 Gold flash over Nickel underplate on contact area,
 Tin over Copper underplate on tails.
 Electrical: _____
 Voltage rating: 40V
 Current rating: 0.5A
 Dielectric strength: 500VAC for 1 minute min.
 Insulation resistance: 100 Megohm min.
 Contact resistance: 10 mohms max.
 Environmental: _____
 Lead free, RoHS Compliant
 Recommended soldering temp: 260°C for 5 seconds.

UNLESS OTHERWISE SPECIFIED
 ALL DIMENSIONS ARE MM
 TOLERANCES: EXCEPT AS NOTED
 INCHES

.X	± .10	ØX	± .10
.XX	± .020	ØXX	± .015
.XXX	± .015	ØXXX	± .010

ADAM TECH
 909 Rahway Avenue, Union, NJ 07083
 Phone: 908-687-5000 Fax: 908-687-5710

APPROVALS	DATE
DRAWN	6/07/10
CHECKED	
APPROVED	

TITLE: **HDMI CONNECTOR, 19P, VERTICAL, SMT**
 SIZE: **X** PART NO.: **HDMI-S-V-01-SMT-MF-KT**
 REF: **S00015C** SCALE: **NTS** SHEET **1** OF **1**

