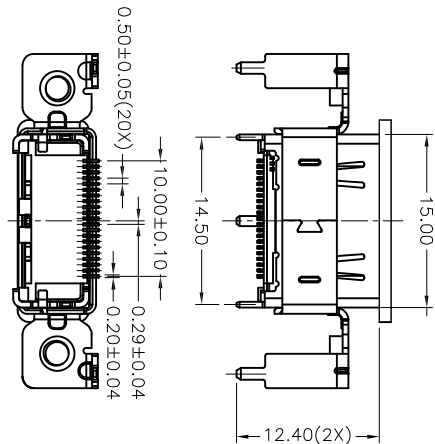
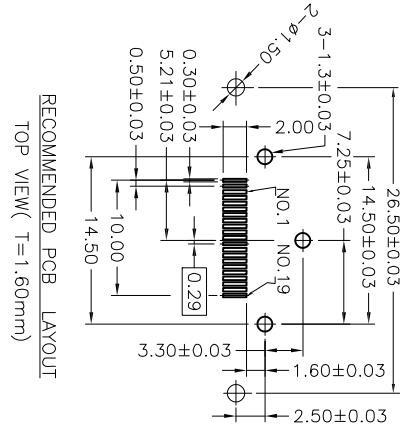
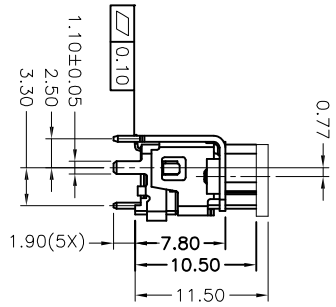
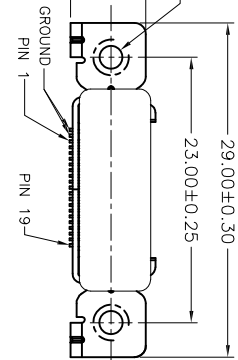
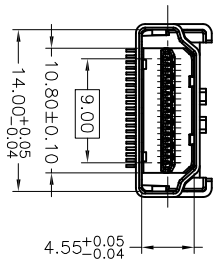
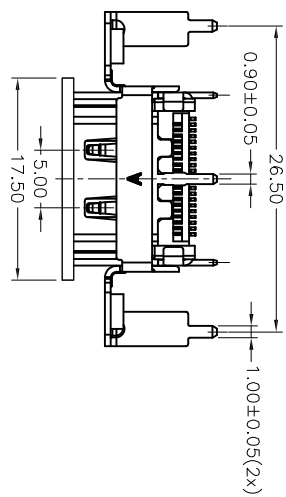


Rev	AWO #	Description	Date	Appr
-		RELEASED	6/04/10	

APPROVED: _____
 DATE: _____ TITLE: _____



PACKAGED ON TAPE & REEL

B

SPECIFICATIONS:

Material:
 Housing: Hi-temp thermoplastic, UL 94V-0
 Housing color: Black
 Contact: Copper Alloy
 Shield: Stainless steel, Nickel plated
Plating:
 Gold flash over Nickel underplate on contact area,
 Tin over Copper underplate on tails.
Electrical:
 Voltage rating: 40V
 Current rating: 0.5A
 Dielectric strength: 300VAC for 1 minute min.
 Insulation resistance: 100 Megohm min.
 Contact resistance: 10 mohms max.

A

Environmental:
 Lead free, RoHS Compliant



UNLESS OTHERWISE SPECIFIED
 ALL DIMENSIONS ARE MM
 TOLERANCES EXCEPT AS NOTED
 INCHES

.X	± .10	ØX	± .10
.XX	± .020	ØXX	± .015
.XXX	± .015	ØXXX	± .010

APPROVALS

DRAWN	AY	2/27/13
CHECKED	CC	2/27/13
APPROVED		

ADAM TECH
 909 Railway Avenue, Union, NJ 07083
 Phone: 908-687-5000 Fax: 908-687-5710

TITLE: HDMI CONNECTOR, VERTICAL, SMT,
 MOUNTING FLANGE, W/ DUST COVER

SIZE	PART NO.	REV.
X	HDMI-S-V-02-SMT-MF-DC-TR	-
REF:	S00015C	
SCALE:	NIS	
SHEET	1 OF 1	

A

B

C

D

6

5

4

3

2

1