

Rev	AWO #	Description	Date	Appr
-		RELEASED	10/31/12	

6

5

4

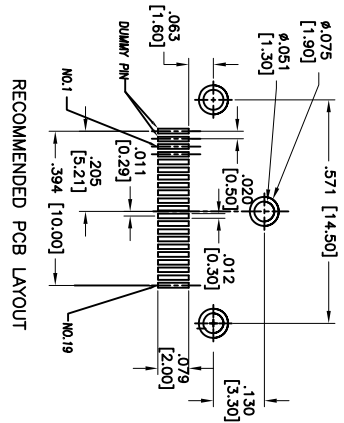
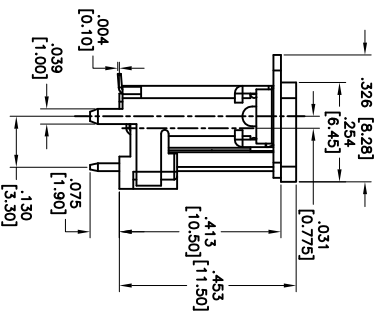
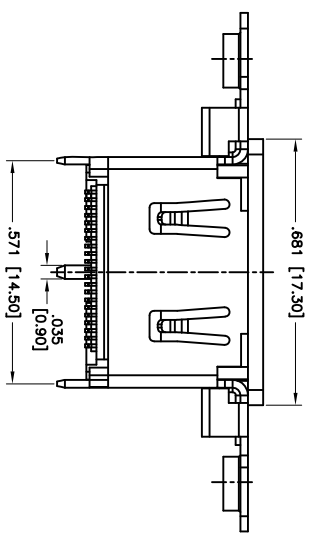
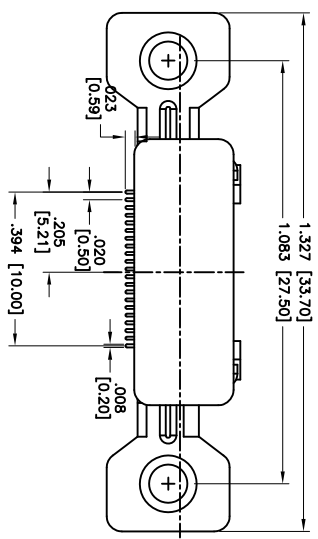
3

2

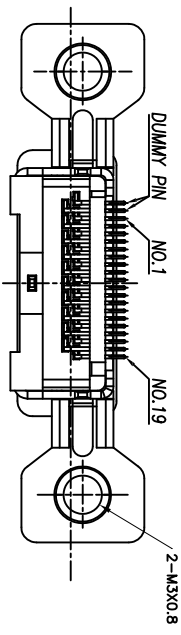
1

APPROVED: _____

DATE: _____ TITLE: _____



RECOMMENDED PCB LAYOUT



SPECIFICATIONS:

Material: Housing: Hi-temp thermoplastic, UL 94V-0

Housing color: Black

Contact: Brass

Shield: Brass, Nickel plated

Plating: Gold flash over Nickel underplate on contact area, Tin over Copper underplate on tails.

Electrical:

Voltage rating: 40V AC

Current rating: 0.5A Min

Insulation resistance: 100 Megohm min @500 V DC

Temperature Rating:

Operating temperature: -20°C to +85°C

Environmental:

Lead free, RoHS Compliant

ADAM TECH

909 Rahway Avenue, Union, NJ 07083
Phone: 908-687-5000 Fax: 908-687-5710

TITLE: HDMI CONNECTOR, VERTICAL, SMT, DUST COVER

UNLESS OTHERWISE SPECIFIED ALL DIMENSIONS ARE MM TOLERANCES: EXCEPT AS NOTED	
INCHES	HOLES
.X ± .10	ØXX ± .10
.XX ± .020	ØXXX ± .015
.XXX ± .015	ØXXX ± .010
APPROVALS	DATE
DRAWN AY	10/31/12
CHECKED CC	10/31/12
APPROVED	

SIZE X	PART NO. HDMI-S-V-04-SMT-MF-DC
REF: S00075C	SCALE: NTS
	SHEET 1 OF 1

6

5

4

3

2

1

