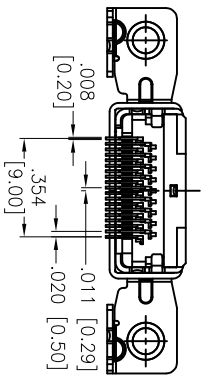
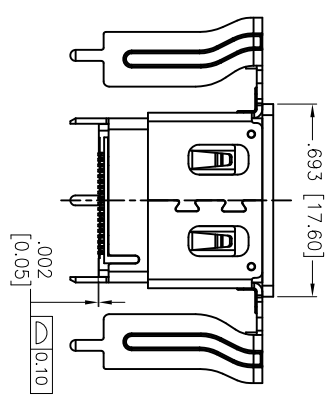
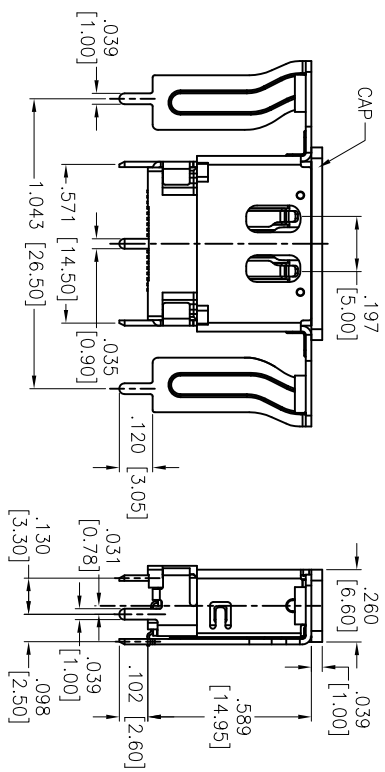
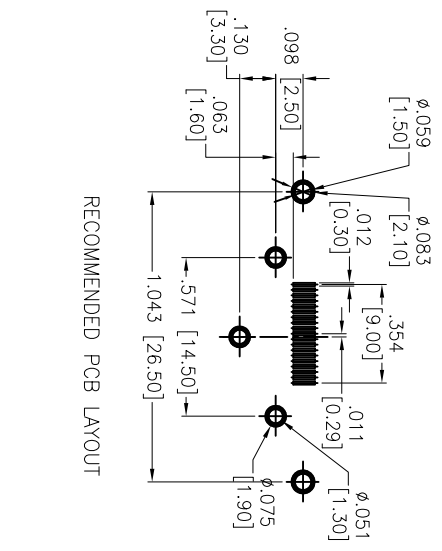
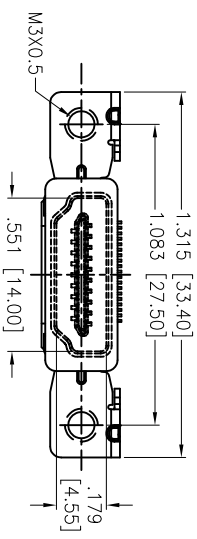


Rev	AWO #	Description	Date	Appr
-		RELEASED	2/5/14	

APPROVED: _____
 DATE: _____ TITLE: _____



SPECIFICATIONS:
 Material: Housing: Hi-temp thermoplastic, UL 94V-0
 Housing color: Black
 Contact: Phosphor Bronze
 Shield: Brass, Nickel plated
 Flange Shell: SPCC, Nickel plated
 Plating: 15u" Gold over Nickel underplate on contact area, Tin over Copper underplate on tails.
 Electrical: Voltage rating: 40V
 Current rating: 0.5A
 Contact resistance: 60 mohms max
 Insulation resistance: 100 Mohms min
 Dielectric strength: 500 VAC for 1 minute min.
 Temperature Rating: Operating temperature: -40°C to +85°C
 Environmental: Lead free, RoHS Compliant



ADAM TECH

909 Rahway Avenue, Union, NJ 07083
 Phone: 908-687-5000 Fax: 908-687-5710

UNLESS OTHERWISE SPECIFIED ALL DIMENSIONS ARE INCHES [MM] TOLERANCES: EXCEPT AS NOTED		INCHES		HOLE SIZE		DATE	
.X	± .10	ØXX	± .10	ØXXX	± .015	DATE	
.XX	± .020	ØXXX	± .015	ØXXX	± .010		
.XXX	± .015	ØXXX	± .010				
APPROVALS							
DRAWN	HR	9/11/14					
CHECKED	RT	9/11/14					
APPROVED							
TITLE: HDM1 CONNECTOR, VERTICAL, SMT W/ SHELL FLANGE, W/ CAP, W/ DUST COVER				SIZE: X		PART NO.: HDM1-S-V-05-SMT-MF-DC	
REF: S00009T				SCALE: NTS		SHEET 1 OF 1	