

Rev	AWO #	Description	Date	Appr
-		RELEASED	7/16/14	

6

5

4

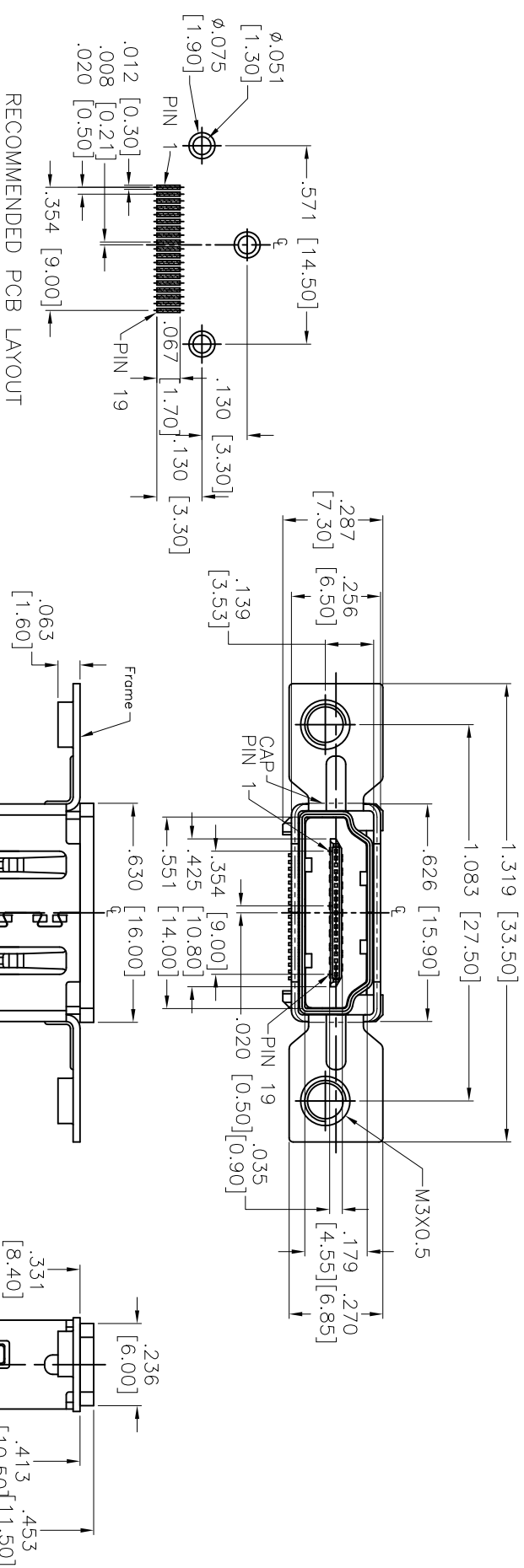
3

2

1

APPROVED: _____

DATE: _____ TITLE: _____



D

C

B

SPECIFICATIONS:

Material:

Insulator: Hi-Temp Thermoplastic, rated UL 94V-0

Insulator color: Black

Contacts: Brass

Shield: Brass, Nickel plated

Frame: SPCC, Nickel plated

Plating:

Gold over Nickel underplate on contact area,
Tin over Copper underplate on PCB tails

Electrical:

Operating voltage: 40 VAC max

Current rating: 0.5 Amps max

Contact resistance: 20 mohms max

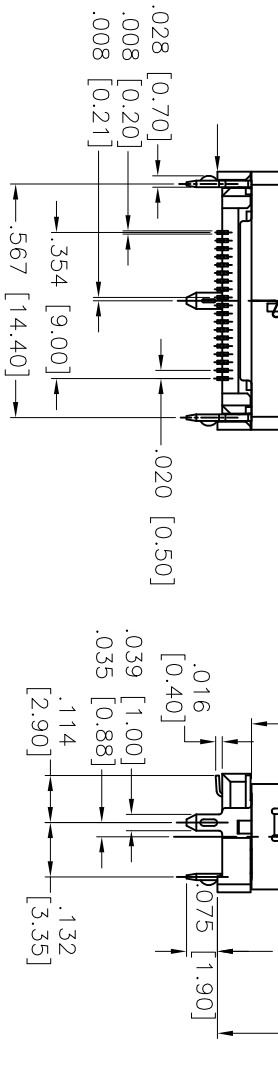
Insulation resistance: 100 Mohms min

Dielectric withstanding voltage: 500 VAC for 1 minute

Temperature Rating:

Operating temperature: -40°C to +100°C

Environmental:
Lead free, RoHS compliant.



D

C

B

ADAM TECH

909 Railway Avenue, Union, NJ 07083
Phone: 908-687-5000 Fax: 908-687-5710

TITLE: HDMI RECEPTACLE, VERTICAL, SMT TYPE WITH DUST COVER (CAP)

UNLESS OTHERWISE SPECIFIED ALL DIMENSIONS ARE INCHES [MM] TOLERANCES: EXCEPT AS NOTED	
.XX ± .10	ØXX ± .10
.XX ± .020	ØXXX ± .015
.XXX ± .015	ØXXX ± .010
APPROVALS	
DRAWN	AY
CHECKED	KW
DATE	7/16/14
APPROVED	

SIZE	PART NO.	REV.
X	HDMI-S-V-06-SMT-DC	-
REF: S00264T	SCALE: NTS	SHEET 1 OF 1

6

5

4

3

2

1

A