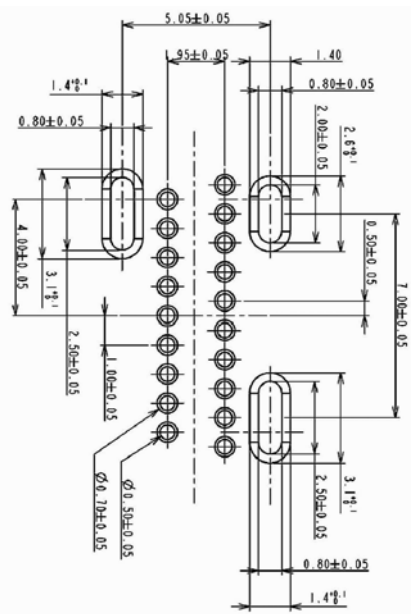
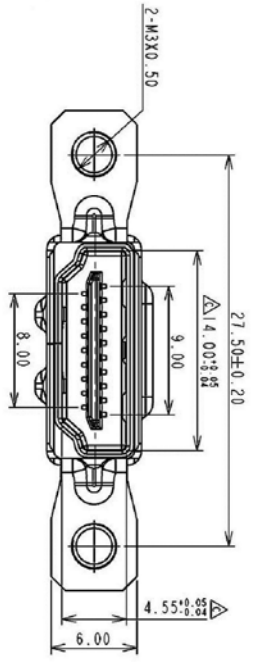
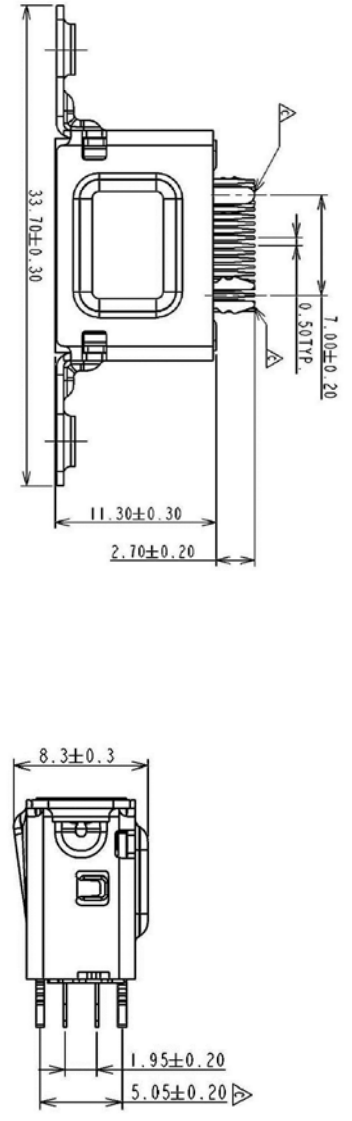
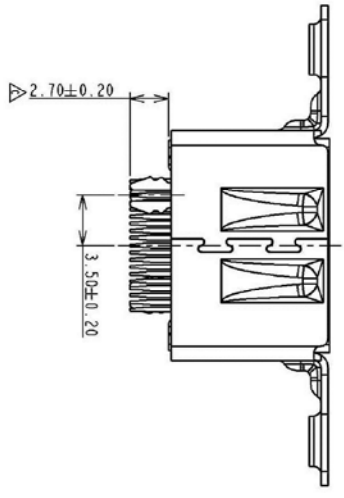
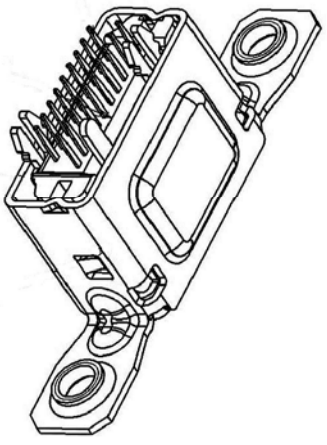


Rev	AWO #	Description	Date	Appr
-		RELEASED	2/18/14	

APPROVED: \_\_\_\_\_ TITLE: \_\_\_\_\_ DATE: \_\_\_\_\_



RECOMMENDED PCB LAYOUT



**SPECIFICATIONS:**

- Material: Insulator: Hi-Temp Thermoplastic, rated UL 94V-0
- Insulator color: Black
- Contacts: Copper Alloy
- Shell: SPCC, Nickel plated
- Plating: Gold flash over Nickel underplate on contact area, Tin over Nickel underplate on solder tails.

- Electrical: Operating voltage: 40 VAC max
- Current rating: 0.5 Amp Max.
- Contact resistance: 10 mohms max
- Insulation resistance: 100 Mohms min @ 500 VDC (UNMATE)
- 10 Mohms min @ 150 VDC (MATE)
- Dielectric withstanding voltage: 300 VAC for 1 minute
- Temperature Rating: Operating temperature: -20°C to +85°C

Environmental: Lead free, RoHS compliant.

**ADAM TECH**

909 Railway Avenue, Union, NJ 07083  
 Phone: 908-687-5000 Fax: 908-687-5710

HDMI CONNECTOR, VERTICAL,  
 THROUGH HOLE, W/ FLANGE

UNLESS OTHERWISE SPECIFIED ALL DIMENSIONS ARE INCHES [MM]		TOLERANCES: EXCEPT AS NOTED	
INCHES	HOLES	±.10	±.015
.X	∅XX	∅XXX	∅XXXX
.XX	±.020	±.015	±.010
.XXX	±.015		
APPROVALS		DATE	
DRAWN	HR	2/18/14	
CHECKED	YC	2/18/14	
APPROVED			
TITLE		SIZE	PART NO.
HDMI CONNECTOR, VERTICAL, THROUGH HOLE, W/ FLANGE		X	HDM-S-V-1-MF-02
REF:		SCALE:	SHEET 1 OF 1
		NTS	