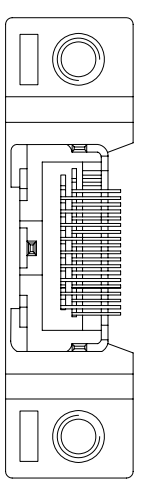
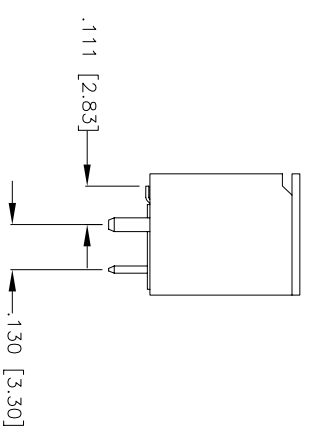
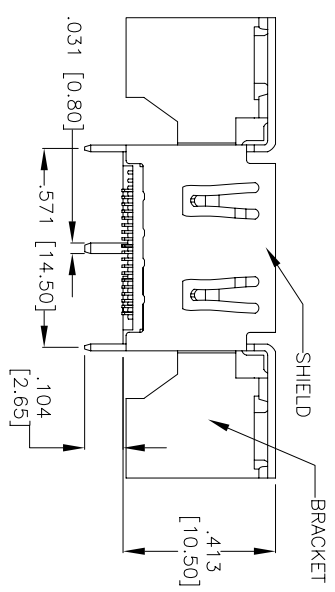
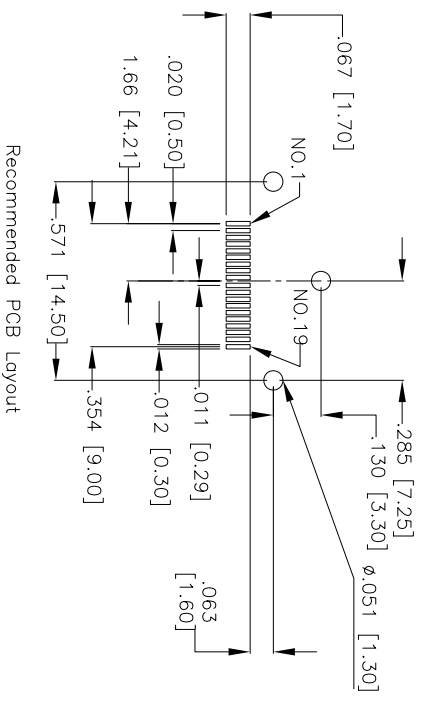
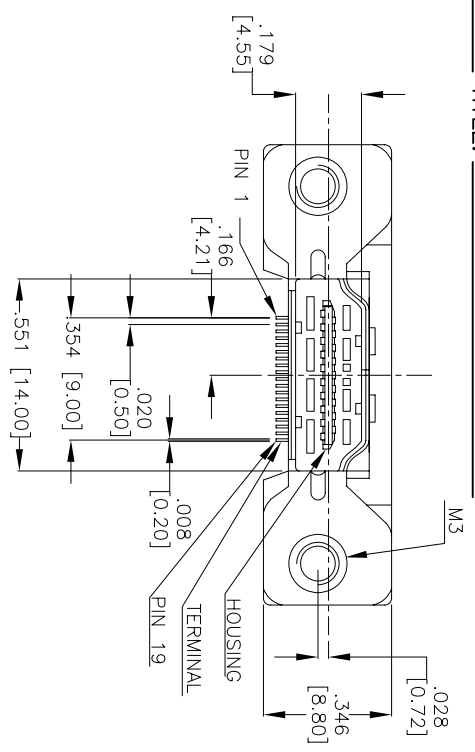


Rev	AWO #	Description	Date	Appr
-	8922	RELEASED	7/15/08	

APPROVED: _____
 DATE: _____ TITLE: _____



SPECIFICATIONS:

- Material: Glass filled heat-resisted resin, UL94V-0
- Housing: Glass filled heat-resisted resin, UL94V-0
- Terminal: Copper Alloy 0.2T
- Shield: Copper Alloy 0.5T
- Bracket: Glass filled heat-resisted resin, UL94V-0
- Plating:
 - Terminal: Contact area: 15µ" Gold over 50µ" Nickel plated
 - Solder tail area: 1µ" Gold over 50µ" Nickel plated
 - Shell plating: 100µ" Nickel plated.
- Environmental: Lead free, RoHS Compliant
- Recommended soldering temp: 235°C for 5 seconds.



UNLESS OTHERWISE SPECIFIED ALL DIMENSIONS ARE INCHES [MM]	
TOLERANCES: EXCEPT AS NOTED	
INCHES	HOLDS
.X ± .10	ØX ± .10
.XX ± .020	ØXX ± .015
.XXX ± .015	ØXXX ± .010
APPROVALS	DATE
DRAWN	DY
CHECKED	
APPROVED	

ADAM TECH
 909 Rahway Avenue, Union, NJ 07083
 Phone: 908-687-5000 Fax: 908-687-5710

TITLE: **HDMI CONNECTOR WITH HOUSING,
 SOLDER TAIL: SMT TYPE, SHELL: DIP TYPE**

SIZE	PART NO.	REV.
X	HDMI-S-V-SMT-MF-15	-
REF:	SCALE: NTS	SHEET 1 OF 1