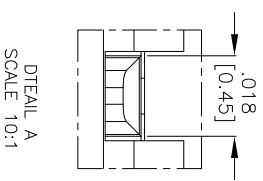
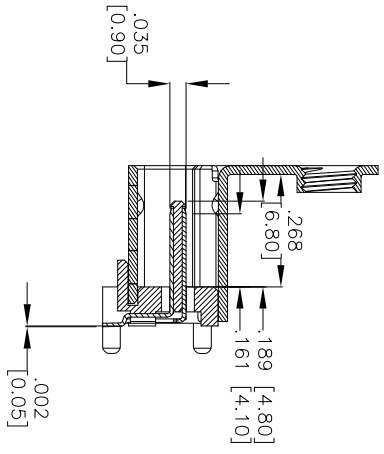
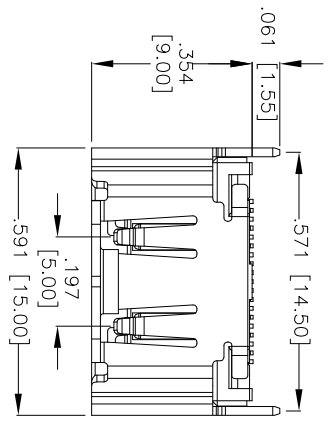
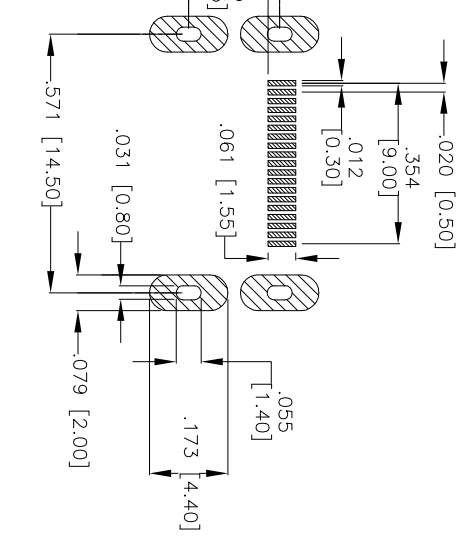
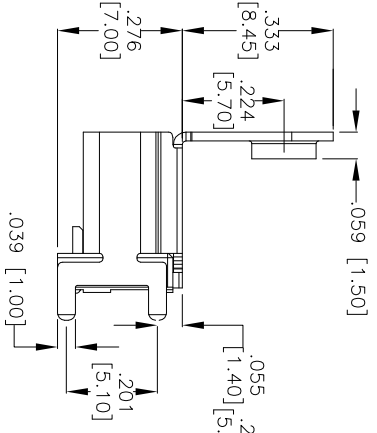
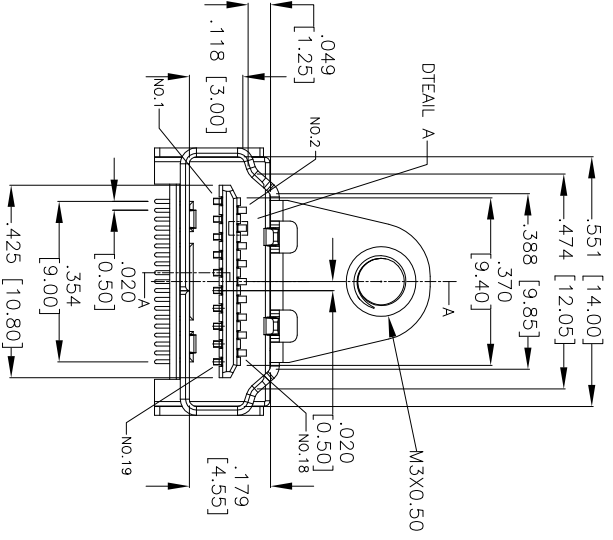


Rev	AWO #	Description	Date	Appr
-		RELEASED	3/24/09	

APPROVED: _____
 DATE: _____



DETAIL A
SCALE 10:1



RECOMMENDED PCB LAYOUT

PACKAGED ON TAPE & REEL

SPECIFICATIONS:

Material:

Housing: Hi-temp thermoplastic, UL 94V-0

Housing color: Black

Contact: Phosphor Bronze

Shield: Brass

Plating:

15u" Gold over Nickel underplate on contact area,
 Tin over Copper underplate on tails.

Electrical:

Voltage rating: 40V

Current rating: 0.5A

Dielectric strength: 500VAC for 1 minute min.

Insulation resistance: 100 Megohm min.

Contact resistance: 30 mohms max.

Environmental:

Lead free, RoHS Compliant

Recommended soldering temp: 260°C for 5 seconds.



ADAM TECH

909 Rahway Avenue, Union, NJ 07083
 Phone: 908-687-5000 Fax: 908-687-5710

TITLE: **HDMI CONNECTOR WITH MOUNTING FLANGE**
 TRUE SMT TYPE

UNLESS OTHERWISE SPECIFIED ALL DIMENSIONS ARE INCHES [MM]		TOLERANCES: EXCEPT AS NOTED		HOLE SIZES	
.X	± .10	Ø.X	± .10		
.XX	± .020	Ø.XX	± .015		
.XXX	± .015	Ø.XXX	± .010		
APPROVALS		DATE			
DRAWN	DY	3/24/09			
CHECKED					
APPROVED					
SIZE	PART NO.	TITLE		REV.	
X	HDMI-S-V-TSMT-MF-15-T/R	HDMI CONNECTOR WITH MOUNTING FLANGE			
REF:	S00003C	SCALE:	NTS	SHEET	1 OF 1