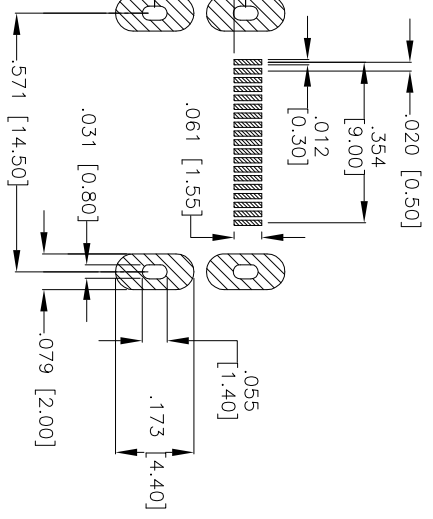
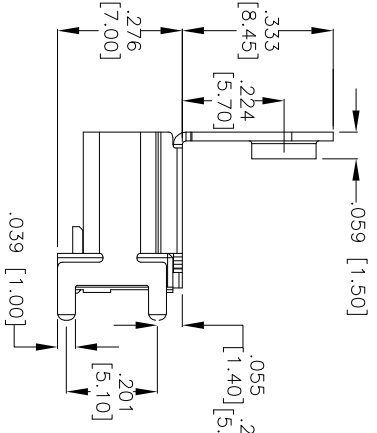
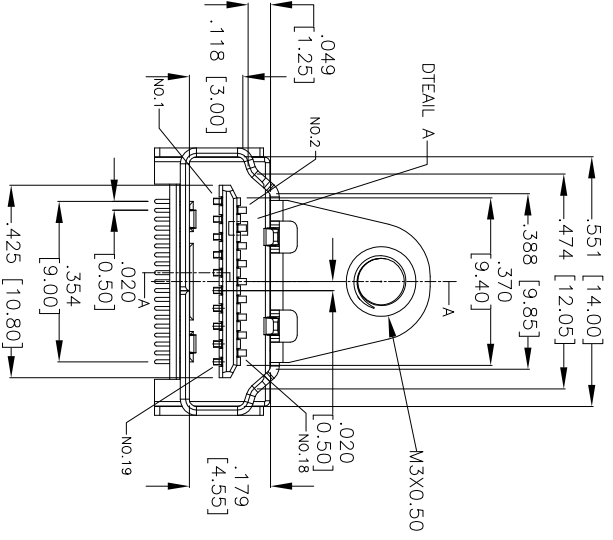
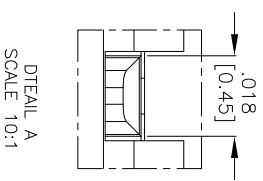
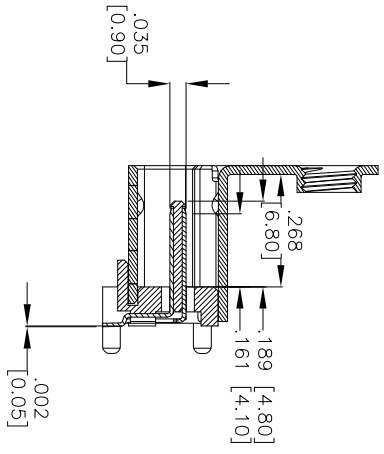
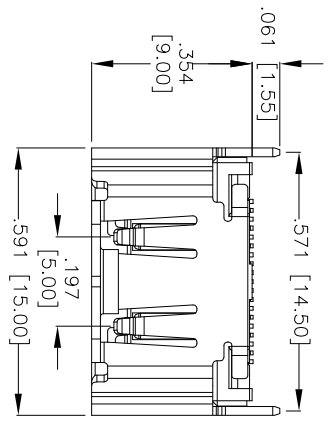


Rev	AWO #	Description	Date	Appr
-		RELEASED	3/24/09	

APPROVED: \_\_\_\_\_  
 DATE: \_\_\_\_\_ TITLE: \_\_\_\_\_



RECOMMENDED PCB LAYOUT

**SPECIFICATIONS:**

- Material: Housing: HI-temp thermoplastic, UL 94V-0
- Housing color: Black
- Contact: Phosphor Bronze
- Shield: Brass
- Plating: Gold flash over Nickel underplate on contact area, Tin over Copper underplate on tails.

**Electrical:**

- Voltage rating: 40V
- Current rating: 0.5A
- Dielectric strength: 500VAC for 1 minute min.
- Insulation resistance: 100 Megohm min.
- Contact resistance: 30 mohms max.
- Environmental: Lead free, RoHS Compliant
- Recommended soldering temp: 260°C for 5 seconds.



UNLESS OTHERWISE SPECIFIED ALL DIMENSIONS ARE IN INCHES [MM]	
TOLERANCES: EXCEPT AS NOTED	HOLDS
.X ± .10	ØX ± .10
.XX ± .020	ØXX ± .015
.XXX ± .015	ØXXX ± .010
APPROVALS	DATE
DRAWN	3/24/09
CHECKED	
APPROVED	

**ADAM TECH**  
 909 Rahway Avenue, Union, NJ 07083  
 Phone: 908-687-5000 Fax: 908-687-5710

TITLE: HDMI CONNECTOR WITH MOUNTING FLANGE  
 TRUE SMT TYPE

SIZE	PART NO.	REV.
X	HDMI-S-V-TSMT-MF	
REF:	SCALE: NTS	SHEET 1 OF 1