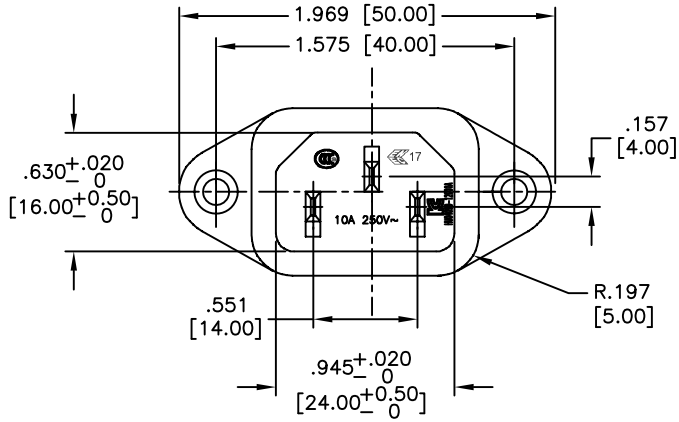
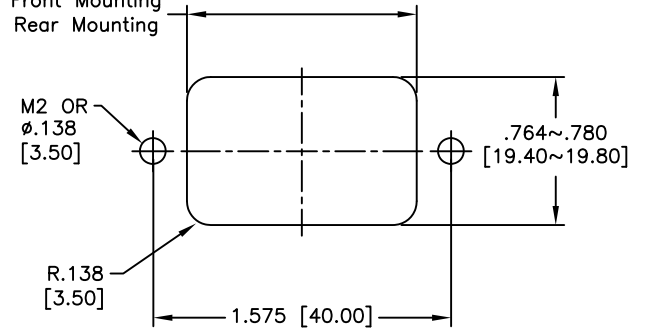


APPROVED: _____
 DATE: _____ TITLE: _____

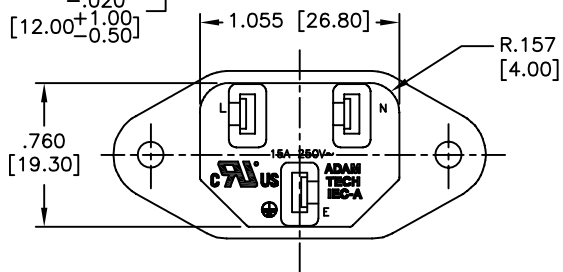
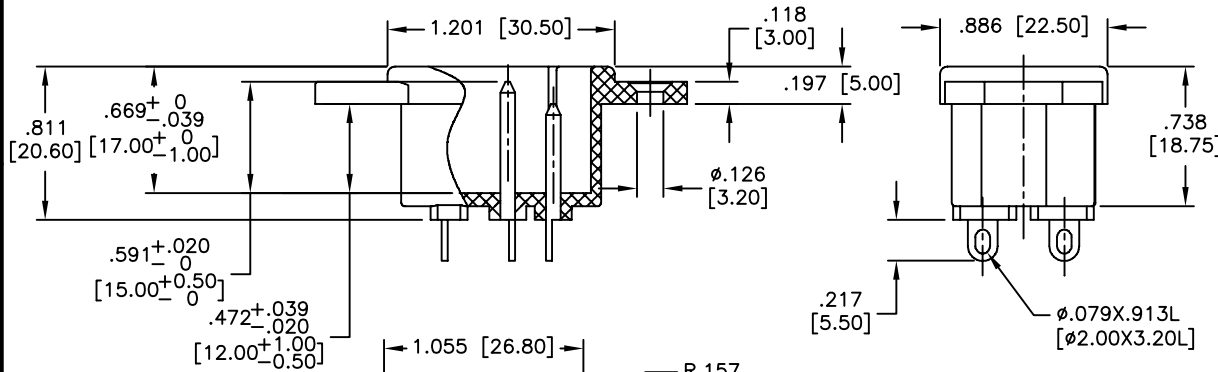
Rev	AWO #	Description	Date	Appr
-		RELEASED	6/16/05	
A		REDRAWN	12/13/13	AY/GC
B		REVISED TERMINAL OPTIONS P/N	7/17/14	AY
C		UPDATE PANEL CUT-OUT DIM.	11/4/15	AY/MW



1.063 [27.00] Front Mounting
 1.213 [30.80] Rear Mounting



FOR REAR MOUNTING USE
 PANEL CUT-OUT



TERMINAL OPTIONS			
IEC-A-1	IEC-A-2	IEC-A-3	IEC-A-5
.187 Q.C.	.250 Q.C.	.157 Solder	.098 Solder

SPECIFICATIONS:

Material:
 Insulator: PBT, rated UL 94V-0
 Insulator color: Black
 Contact: Copper Alloy, Tin Plated
 Electrical:

Rating: 15A @ 250V C-ULus
 10A @ 250V ENEC & CCC

Insulation resistance: 100 Mohms min @ 500 VDC
 Dielectric withstanding voltage: 3000 VAC for 1 minute

Environmental:
 Lead free, RoHS compliant.



UNLESS OTHERWISE SPECIFIED
 ALL DIMENSIONS ARE MM [INCHES]
 TOLERANCES: EXCEPT AS NOTED
 INCHES HOLES
 .X ±.10 Ø.X ±.10
 .XX ±.020 Ø.XX ±.015
 .XXX ±.015 Ø.XXX ±.010

ADAM TECH

909 Rahway Avenue, Union, NJ 07083
 Phone: 908-687-5000 Fax: 908-687-5710

APPROVALS		DATE
DRAWN	SS	6/16/05
CHECKED		
APPROVED		

TITLE IEC, C13 FEMALE, PANEL MOUNT FLANGED		
SIZE X	PART NO. IEC-A-X	REV. C
REF: S00087C	SCALE: NTS	SHEET 1 OF 1