

6

5

4

3

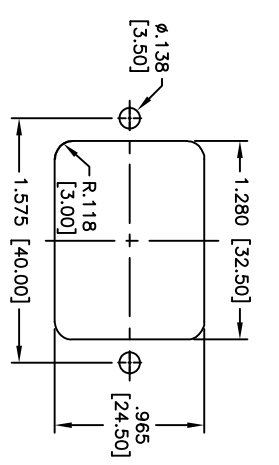
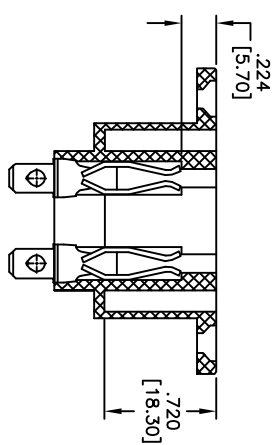
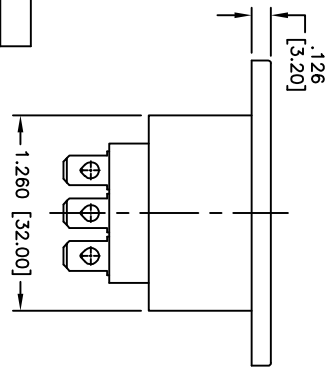
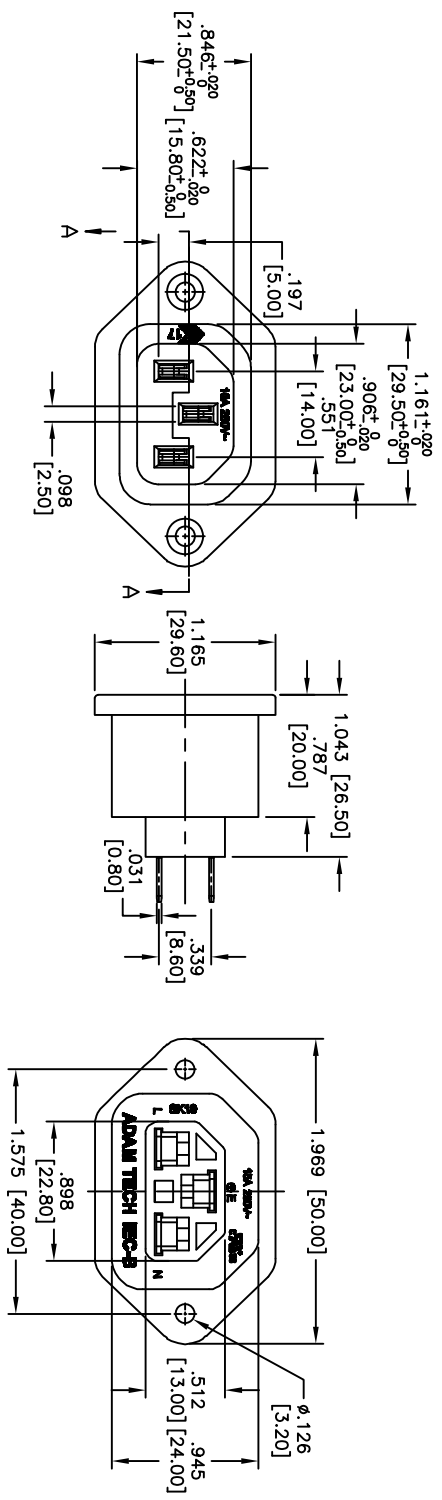
2

1

APPROVED: _____

DATE: _____ TITLE: _____

Rev	AWO #	Description	Date	Appr
-		RELEASED	6/7/05	
A		REDRAWN	9/19/11	
B		REDRAWN	4/30/13	
C		REDRAWN	12/31/13	AV/GC



TERMINAL OPTIONS		
-1	-2	-3
.187 Q.C.	.250 Q.C.	.157 Solder

SPECIFICATIONS:

Material:
 Insulator: PBT, rated UL 94V-0
 Insulator color: Black
 Contact: Copper Alloy, Tin Plated
Electrical:
 Rating: 15A @ 250V C-ULus
 10A @ 250V ENEC
 Insulation resistance: 100 Mohms min @ 500 VDC
 Dielectric withstanding voltage: 3000 VAC for 1 minute
Environmental:
 Lead free, RoHS compliant.



UNLESS OTHERWISE SPECIFIED
 ALL DIMENSIONS ARE IN INCHES [MM]
 TOLERANCES: EXCEPT AS NOTED
 INCHES HOLE SIZES
 .X ± .10 ØXX ± .10
 .XX ± .020 ØXXX ± .015
 .XXX ± .015 ØXXXX ± .010

ADAM TECH

909 Railway Avenue, Union, NJ 07083
 Phone: 908-687-5000 Fax: 908-687-5710

IEC FEMALE OUTLET, PANEL MOUNT

DRAWN		SS		DATE	
CHECKED					
APPROVED					

SIZE	PART NO.	TITLE
X	IEC-B-X	IEC FEMALE OUTLET, PANEL MOUNT

REF.	SCALE:	SHEET	REV.
S00087C	NTS	1 OF 1	C

6

5

4

3

2

1