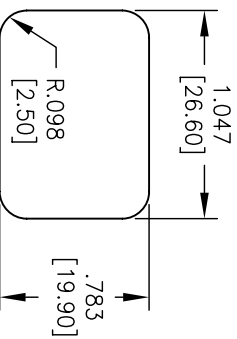
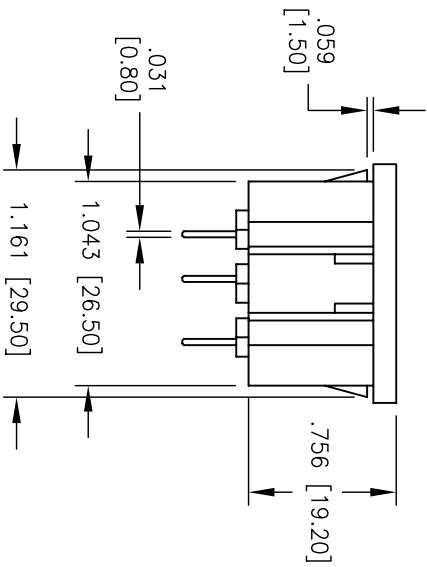
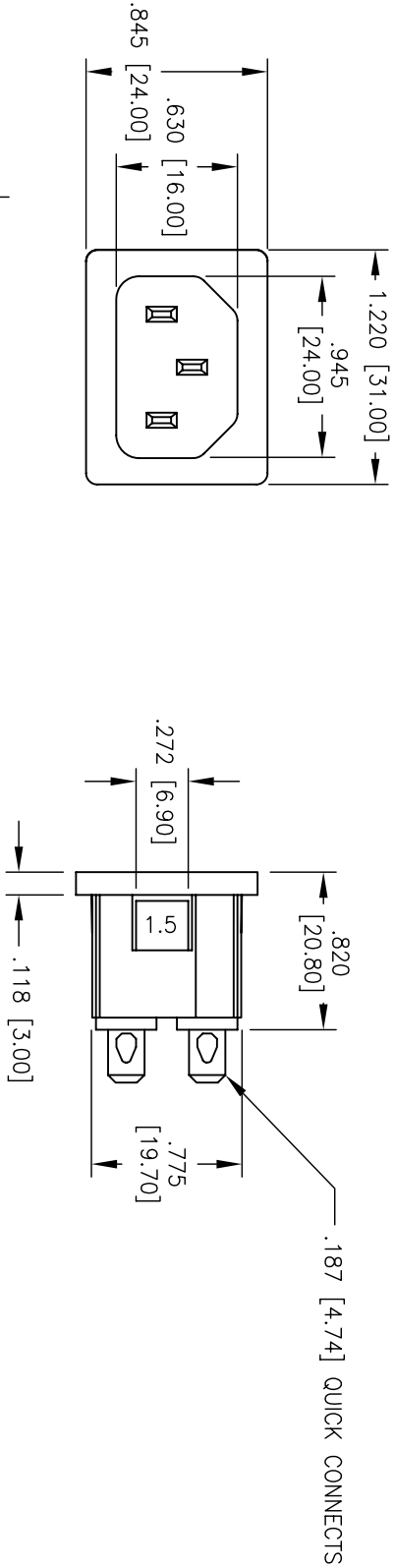


Rev	AWO #	Description	Date	Appr
-		RELEASED	01/29/07	

APPROVED: _____ TITLE: _____
 DATE: _____



RECOMMENDED
 PANEL CUTOUT

SPECIFICATIONS:

Material:

Insulator: Nylon 66, glass reinforced, rated UL 94V-0

Insulator color: Black

Contacts: Brass

Plating:

Tin over Copper underplate overall

Electrical:

Operating voltage: 250 VAC

Current rating: UL & CSA: 15 Amps max

VDE: 10 Amps max

Insulation resistance: 100 Mohms min @ 500 VDC

Dielectric withstanding voltage: 2,000 VAC for 1 minute

Temperature Rating:

Operating temperature: -25°C to +70°C

Environmental:

Lead free, RoHS compliant



UNLESS OTHERWISE SPECIFIED
 ALL DIMENSIONS ARE MM [INCHES]
 TOLERANCES: EXCEPT AS NOTED

INCHES: .X ± .10 ØXX ± .10
 .XX ± .020 ØXXX ± .015
 .XXX ± .015 ØXXX ± .010

APPROVALS: DATE

DRAWN: BW 01/29/07

CHECKED:

APPROVED:

ADAM TECH

909 Rahway Avenue, Union, NJ 07083
 Phone: 908-687-5000 Fax: 908-687-5710

TITLE: IEC MALE INLET, SNAP-IN PANEL MOUNT,
 1.5mm PANEL, .187 QUICK CONNECTS

SIZE: X PART NO.: IEC-C-1-150

REF: SCALE: NTS SHEET 1 OF 1

6

5

4

3

2

1