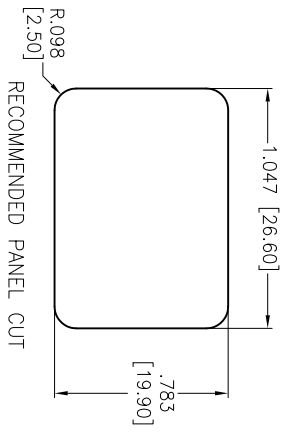
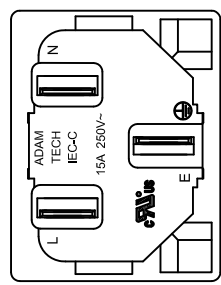
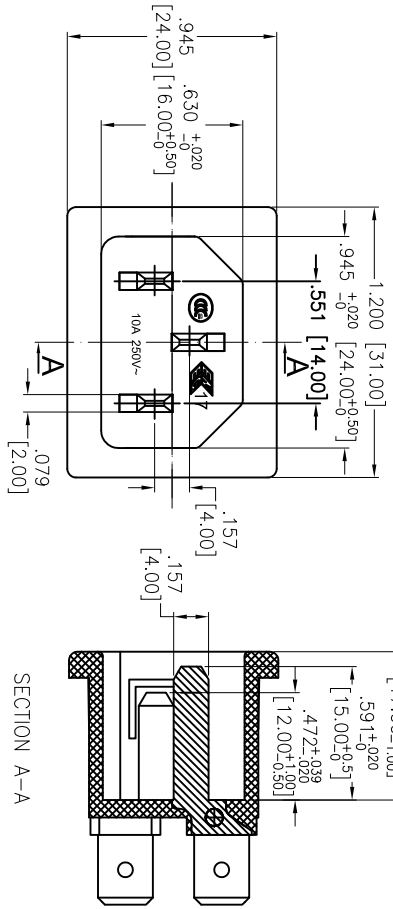


APPROVED: _____
 DATE: _____ TITLE: _____

Rev	AWO #	Description	Date	Appr
-		RELEASED	6/16/05	
A		ADDED PANEL THICKNESS	7/11/12	
B		REDRAWN	12/20/12	
C		ADDED PIN	1/17/14	AY



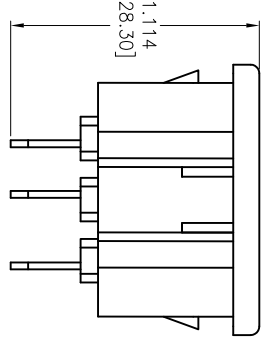
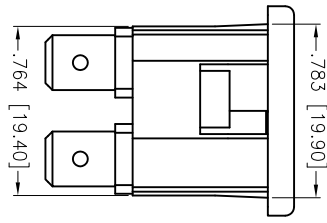
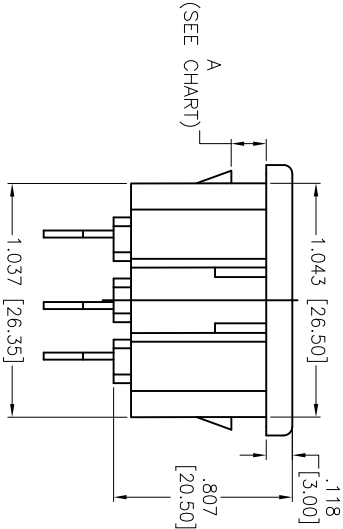
EXAMPLE ORDERING CODE

IEC — C — 1 — 150

BODY STYLE

PANEL THICKNESS DIM. "A"
 080 = 0.80mm
 100 = 1.00mm
 120 = 1.20mm
 150 = 1.50mm
 200 = 2.00mm
 300 = 3.00mm
 400 = 4.00mm

TERMINALS
 1 = .187 QC
 2 = .250 QC
 3 = SOLDER .157"
 5 = SOLDER .098"



PART NUMBER	DIMENSION	
	A	
IEC-C-X-080	.031	[0.80]
IEC-C-X-100	.039	[1.00]
IEC-C-X-120	.047	[1.20]
IEC-C-X-150	.059	[1.50]
IEC-C-X-200	.079	[2.00]
IEC-C-X-300	.118	[3.00]
IEC-C-X-400	.157	[4.00]

TERMINAL OPTIONS				
-1	-2	-3	-5	
.187 Q.C.	.250 Q.C.	.157 Solder	.098 Solder	

SPECIFICATIONS:
 Material: Nylon 66, glass reinforced, rated UL 94V-0
 Insulator color: Black
 Contacts: Brass
 Plating: Tin over Copper underplate overall
 Electrical: Operating voltage: 250 VAC
 Current rating: UL & CSA: 15 Amps max
 ENEC: 10 Amps max
 Insulation resistance: 100 Mohms min @ 500 VDC
 Dielectric withstanding voltage: 3,000 VAC for 1 minute
 Environmental: Lead free, RoHS compliant

ADAM TECH

909 Rahway Avenue, Union, NJ 07083
 Phone: 908-687-5000 Fax: 908-687-5710

IEC MALE INLET, SNAP-IN PANEL MOUNT

UNLESS OTHERWISE SPECIFIED
 ALL DIMENSIONS ARE INCHES [MM]
 TOLERANCES: EXCEPT AS NOTED
 INCHES: .X ±.10 ØXX ±.015
 .XX ±.020 ØXXX ±.010
 .XXX ±.015
 APPROVALS: _____ DATE: _____
 DRAWN: SS 6/16/05
 CHECKED: _____
 APPROVED: _____

SIZE	PART NO.	REV.
X	IEC-C-X-XXX	C
REF:	S00087C	SCALE: NTS

TITLE	IEC MALE INLET, SNAP-IN PANEL MOUNT	SHEET 1 OF 1
-------	-------------------------------------	--------------